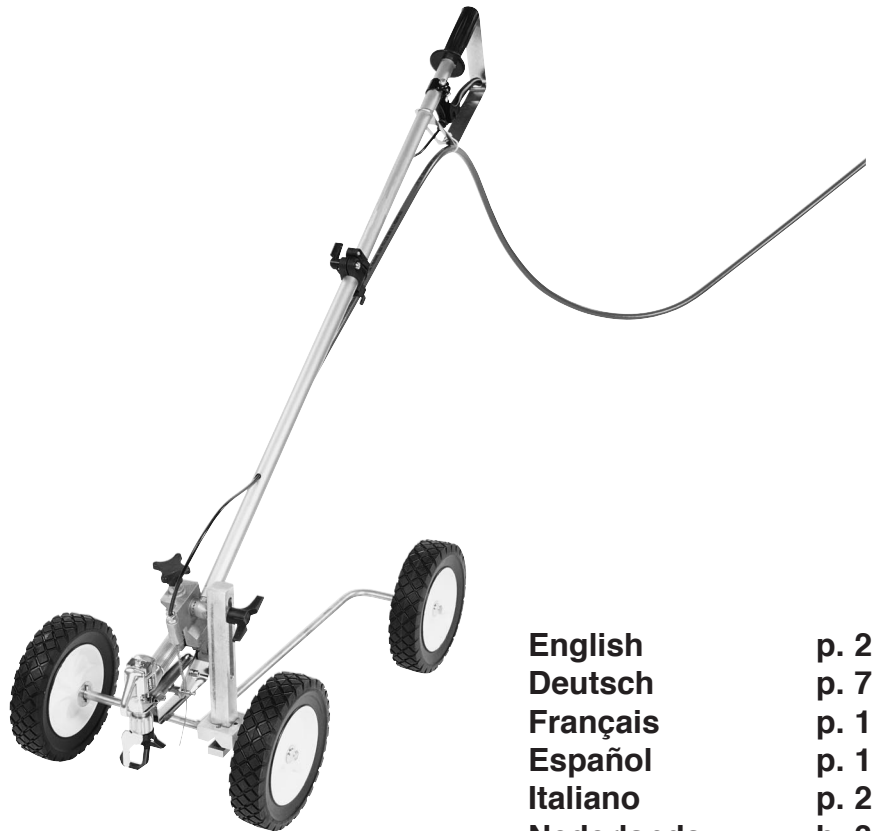


WAGNER®

LinePainter Airless Accessory

Owner's Manual • Betriebsanleitung • Manuel d'utilisateur
Manual de usuario • Manuale dell'utente • Gebruikshandleiding
Ejermanual • Användarmanual



English	p. 2
Deutsch	p. 7
Français	p. 13
Español	p. 19
Italiano	p. 25
Nederlands	b. 31
Dansk	s. 37
Svenska	s. 42

Model Number 0555000

(Spray gun and hose not included.)
(Spritzpistole und Schlauch gehören nicht zum
Lieferumfang.)
(Pistolet pulvérisateur et tuyau non compris.)
(Pistola pulverizadora y manguera no incluidos.)
(Pistola e tubo di gomma non inclusi)
(Spuitspistool en -slang niet meegeleverd)
(Sprøjtepistol og slange ikke inkluderet)
(Spraypistol och slang ingår ej)

Table of Contents

Safety Precautions	2
General Description	3
Assembly	3
Operation	4
Setup	4
Painting	4
Configuring the LinePainter	4
Striping Tip Chart	5
Cleanup	5
Parts Listing	6
Main Assembly	6
Gun Mount Assembly	6

Safety Precautions

This manual contains information that must be read and understood before using the equipment. When you come to an area that has one of the following symbols, pay particular attention and make certain to heed the safeguard.



This symbol indicates a potential hazard that may cause serious injury or loss of life. Important safety information will follow.



This symbol indicates a potential hazard to you or to the equipment. Important information that tells how to prevent damage to the equipment or how to avoid causes of minor injuries will follow.

NOTE: Notes give important information which should be given special attention.



HAZARD: Injection injury - A high pressure fluid stream produced by this equipment can pierce the skin and underlying tissues, leading to serious injury and possible amputation. See a physician immediately.

DO NOT TREAT AN INJECTION INJURY AS A SIMPLE CUT! Injection can lead to amputation. See a physician immediately.

PREVENTION:

- NEVER aim the gun at any part of the body.
- NEVER allow any part of the body to touch the fluid stream. DO NOT allow body to touch a leak in the fluid hose.
- NEVER put hand in front of the gun. Gloves will not provide protection against an injection injury.
- ALWAYS lock gun trigger, shut pump off, and release all pressure before servicing, cleaning tip or guard, changing tip, or leaving unattended. Pressure will not be released by turning off the motor. The PRIME/SPRAY valve handle must be turned to PRIME to relieve the pressure. Refer to the PRESSURE RELIEF PROCEDURE described in the pump manual.
- ALWAYS keep tip guard in place while spraying. The tip guard provides some protection but is mainly a warning device.
- ALWAYS remove the spray tip before flushing or cleaning the system.
- Paint hose can develop leaks from wear, kinking and abuse. A leak can inject material into the skin. Inspect the hose before each use.
- NEVER use a spray gun without a working trigger lock and trigger guard in place.

- All accessories must be rated at or above the maximum operating pressure range of the sprayer. This includes spray tips, guns, extensions, and hose.

NOTE TO PHYSICIAN:

Injection into the skin is a traumatic injury. It is important to treat the injury as soon as possible. DO NOT delay treatment to research toxicity. Toxicity is a concern with some coatings injected directly into the blood stream. Consultation with a plastic surgeon or reconstructive hand surgeon may be advisable.

HAZARD: EXPLOSION AND FIRE - Solvent and paint fumes can explode or ignite. Severe injury and/or property damage can occur.

PREVENTION:

- Provide extensive exhaust and fresh air introduction to keep the air within the spray area free from accumulation of flammable vapors.
- Avoid all ignition sources such as static electricity sparks, electrical appliances, flames, pilot lights, hot objects, and sparks from connecting and disconnecting power cords or working light switches.
- Do not smoke in spray area.
- Fire extinguisher must be present and in good working order.
- Place sprayer at least 20 feet (6.1 m) from the spray object in a well ventilated area (add more hose if necessary). Flammable vapors are often heavier than air. Floor area must be extremely well ventilated. The pump contains arcing parts that emit sparks and can ignite vapors.
- The equipment and objects in and around the spray area must be properly grounded to prevent static sparks.
- Use only conductive or grounded high-pressure fluid hose. Gun must be grounded through hose connections.
- Power cord must be connected to a grounded circuit.
- Always flush unit into separate metal container, at low pump pressure, with spray tip removed. Hold gun firmly against side of container to ground container and prevent static sparks.
- Follow material and solvent manufacturer's warnings and instructions.
- Use extreme caution when using materials with a flashpoint below 70° F (21° C). Flashpoint is the temperature at which a fluid can produce enough vapors to ignite.
- Plastic can cause static sparks. Never hang plastic to enclose spray area. Do not use plastic drop cloths when spraying flammable materials.
- Use lowest possible pressure to flush equipment.

GAS ENGINE (WHERE APPLICABLE)

Always place sprayer outside of structure in fresh air. Keep all solvents away from engine exhaust. Never fill fuel tank with a running or hot engine. Hot surface can ignite spilled fuel. Always attach ground wire from pump to a grounded object. Refer to engine owner's manual for complete safety information.

HAZARD: EXPLOSION HAZARD DUE TO INCOMPATIBLE MATERIALS - will cause severe injury or property damage.

PREVENTION:

- Do not use materials containing bleach or chlorine.
- Do not use halogenated hydrocarbon solvents such as bleach, mildewcide, methylene chloride and 1,1,1 - trichloroethane. They are not compatible with aluminum.
- Contact your coating supplier about the compatibility of material with aluminum.

HAZARD: HAZARDOUS VAPORS - Paints, solvents, insecticides, and other materials can be harmful if inhaled or come in contact with body. Vapors can cause severe nausea, fainting, or poisoning.

PREVENTION:

- Use a respirator or mask if vapors can be inhaled. Read all instructions supplied with the mask to be sure it will provide the necessary protection.
- Wear protective eyewear.
- Wear protective clothing as required by coating manufacturer.

HAZARD: GENERAL - Can cause severe injury or property damage.

PREVENTION:

- Read all instructions and safety precautions before operating equipment.
- Follow all appropriate local, state, and national codes governing ventilation, fire prevention, and operation.
- Use only manufacturer authorized parts. User assumes all risks and liabilities when using parts that do not meet the minimum specifications and safety devices of the pump manufacturer.
- Before each use, check all hoses for cuts, leaks, abrasion or bulging of cover. Check for damage or movement of couplings. Immediately replace hose if any of those conditions exist. Never repair a paint hose. Replace with a grounded high-pressure hose.
- All hoses, swivels, guns, and accessories must be pressure rated at or above the maximum operating pressure range of the sprayer.
- Do not spray outdoors on windy days.
- Wear clothing to keep paint off skin and hair.
- Always unplug cord from outlet before working on equipment (electric units only).

General Description

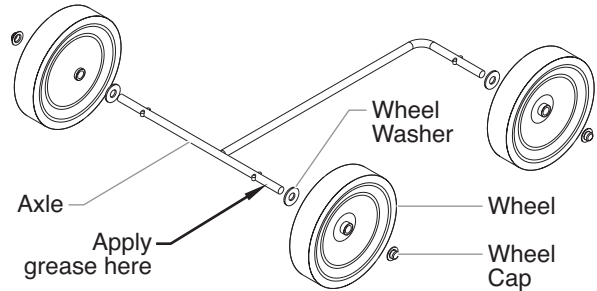
The LinePainter is a portable line striping tool used for painting parking lot lines, athletic field lines, curbs, etc... The LinePainter can be used with most airless sprayers. Read and follow this instruction manual carefully for proper setup, operating instructions, and safety information.



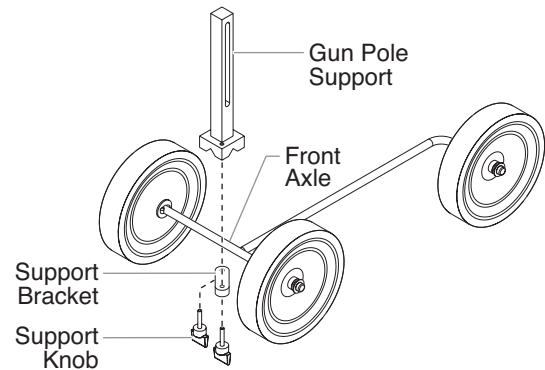
Assembly

The LinePainter requires some assembly before its first use. A hammer is needed for the first assembly. Otherwise, the LinePainter is designed to be assembled and disassembled easily using the hand-tighten knobs.

1. Unpack the contents of the box.
2. Locate the axle, three wheels, three wheel washers, three wheel caps, and grease packet.
3. At each wheel location on the axle:
 - a. Squeeze a small amount of grease on the axle.
 - b. Slide a wheel washer onto the axle.
 - c. Slide a wheel onto the axle. Make sure the side of the wheel with the extended hub goes on the axle first.
 - d. Using a hammer, pound a wheel cap over the end of the axle to secure the wheel.



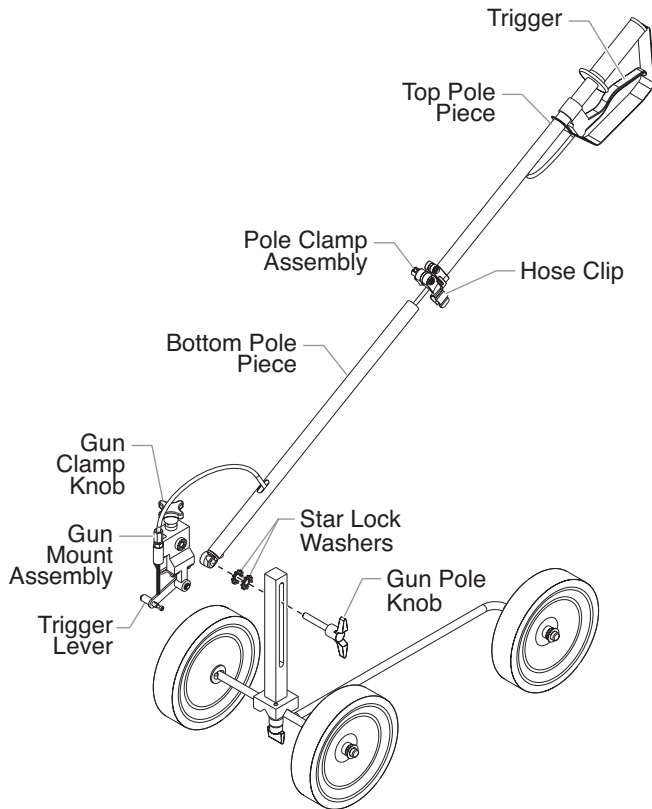
4. Locate the gun pole support, support bracket, and two support knobs.
5. Thread one of the support knobs through the support bracket and into one of the holes in the bottom of the gun pole support. Do not tighten the support knob. Leave enough space between the support bracket and the gun pole support for the axle to pass through.
6. Set the gun pole support on the front axle. Make sure the gun pole support is resting on the axle with the support bracket underneath the axle.
7. Align the support bracket with the remaining hole on the gun pole support. Thread the remaining support knob through the support bracket and into the hole in the gun pole support.
8. Tighten both support knobs until they are secure with the gun pole support standing straight up.



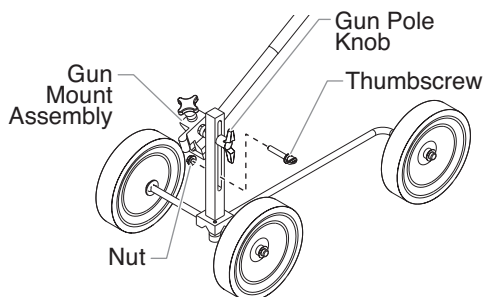
9. Locate the gun pole. It is shipped in two pieces that are connected by the gun cable running through the center of the pole pieces.
10. Insert the gun pole bottom piece into the pole clamp assembly on the gun pole top piece.
11. Align the pieces so that the trigger on the gun pole top piece faces down and the gun cable coming out of the gun pole bottom piece comes out on top of the pole.
12. Tighten the pole clamp assembly.
13. Locate the gun pole knob and two star lock washers.
14. Align the gun mount assembly on the bottom of the gun pole with the long slot on the gun pole support.

15. Insert the gun pole knob from the opposite side of the gun pole support, through the star lock washers, and into the gun mount assembly on the gun pole. Tighten securely.
16. Install an airless spray gun into the gun mount assembly.
 - a. Place the handle of the gun into the gun mount assembly.
 - b. Position the gun so that the trigger rests on the trigger lever.
 - c. Tighten the gun clamp knob securely to hold the gun in position.

NOTE: Adjustment of the gun mount assembly may be required depending on which airless spray gun is used. Adjust using a 9/64" hex wrench.



17. Install and position the gun stop.
 - a. Position the gun at the desired minimum height on the gun pole support. Tighten the gun pole knob to secure the gun in position.
 - b. Insert the gun stop thumbscrew through the slot in the gun pole support so that the thumbscrew is below the gun mount assembly.
 - c. Slide the gun stop thumbscrew up in the slot until it contacts the bottom of the gun mount assembly.
 - d. Thread the gun stop nut onto the gun stop thumbscrew and tighten securely.
 - e. Loosen the gun pole knob.
 - f. Adjust the handle so that the gun is at the desired angle/operating position. Tighten the gun pole knob securely.



Operation

⚠ WARNING

This equipment produces a fluid stream at extremely high pressure. Read and understand the warnings in the Safety Precautions section at the front of this manual as well as the airless sprayer and spray gun manuals before operating this equipment.

Setup

Perform the following procedure to prepare the LinePainter for operation.

⚠ WARNING

Make sure all airless hoses and spray guns are electrically grounded and rated at or above the maximum operating range of the sprayer.

1. Follow the setup procedure and safety precautions outlined in the airless sprayer's owner's manual.
2. Follow the setup procedure and safety precautions outlined in the airless spray gun's owner's manual.

⚠ CAUTION

Always keep the trigger lock on the spray gun in the locked position while preparing the system.

3. Using a wrench, attach a minimum of 50' of 1/4" nylon airless spray hose to the sprayer. Tighten securely.
4. Attach the opposite end of the hose to the airless spray gun in the gun mount assembly on the LinePainter. Using two wrenches (one on the gun and one on the hose), tighten securely.
5. Clip the airless hose into the hose clip on the gun pole.
6. Configure the LinePainter for the type of striping to be performed (straight line, curved line, curb, etc...). Refer to the "Configuring the LinePainter" section in this manual for different LinePainter set ups.

⚠ WARNING

Make sure the airless sprayer is off, the trigger lock on the spray gun is in the locked position, and all pressure is relieved from the system before changing the LinePainter configuration.

Painting

1. Position the airless sprayer so that it is close to the striping path but will not interfere during application.
2. Coil the hose so that it will unwind without catching on itself or any other obstacle during application.
3. Start up the airless sprayer. Follow the startup procedure and safety precautions outlined in the airless sprayer's owner's manual.

⚠ WARNING

POSSIBLE INJECTION HAZARD. Do not spray without the tip guard in place. Never trigger the gun unless the tip is in either the spray or the unclog position. Always engage the gun trigger lock before removing, replacing, or cleaning tip.

4. Position the LinePainter slightly in front of the striping path.
5. Start walking with the LinePainter and trigger the gun at the beginning of the striping path.
6. At the end of striping path, release the trigger and continue walking a short distance, if possible.

NOTE: Triggering the gun after the LinePainter is moving and releasing the trigger before the LinePainter stops produces an evenly painted line from start to finish. If the striping path ends at an obstacle, release the trigger at the same moment that the LinePainter stops moving.

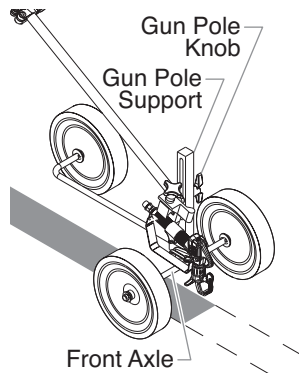
Configuring the LinePainter

The LinePainter can be set up for several different striping applications. Refer to the following sections for the most common LinePainter configurations.

Straight Line Striping

Straight line striping is the most common type of striping application. The “Assembly” section in this manual gives directions on assembling the LinePainter to perform straight line striping.

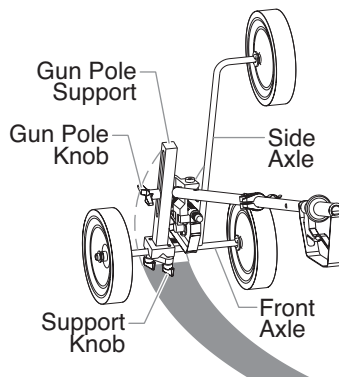
1. Mount the gun pole support on the front axle.
2. Loosen the gun pole knob to adjust the angle and height of the gun for the desired stripe size. Tighten the gun pole knob.



Curved Line Striping

The LinePainter can be configured to paint a curved line.

1. Mount the gun pole support on the front axle.
2. Loosen the support knobs for the gun pole support.
3. Rotate the rear wheel up so that only the front two wheels touch the ground. The side axle and rear wheel should be standing vertical above the front axle and front wheels.
4. Tighten the two support knobs for the gun pole support securely.
5. Loosen the gun pole knob to adjust the angle and height of the gun for the desired stripe size. Tighten the gun pole knob securely.

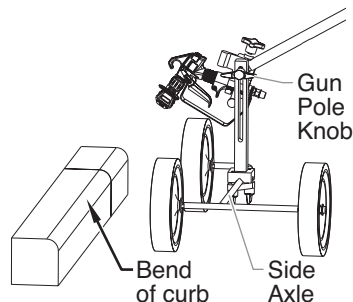


NOTE: It is important to tighten the gun pole knob securely when configuring the LinePainter to paint a curved line. If the knob is not tight enough, the side axle and rear wheel will slip down to ground level.

Painting a Curb

The LinePainter can be configured to paint a curb.

1. Mount the gun pole support on the side axle evenly spaced between the two wheels. Make sure the spray gun is pointing to the outside of the axle assembly.
2. Loosen the gun pole knob to adjust the angle and height of the gun. Point the gun at the bend of the curb so paint is evenly sprayed on both the horizontal and vertical parts of the curb. Tighten the gun pole knob.



Striping Tip Chart

Tip Part #	Line Width	Orifice Size	Common Uses
0561504	2"-3" (51- 76 mm)	.015" (.38 mm)	Stencils & Athletic Courts — Light film
0561508	4"-8" (102-203 mm)	.015" (.38 mm)	Stencils & Athletic Courts — Light film
0561704	2"-3" (51- 76 mm)	.017" (.43 mm)	Most traffic paints — Medium film
0561708	4"-8" (102-203 mm)	.017" (.43 mm)	Most traffic paints — Light film
0561904	2"-3" (51- 76 mm)	.019" (.48 mm)	Most traffic paints — Heavy film
0561908	4"-8" (102-203 mm)	.019" (.48 mm)	Most traffic paints — Medium film
0562108	4"-8" (102-203 mm)	.021" (.53 mm)	Most traffic paints — Heavy film
0562112	6"-12" (152-305 mm)	.021" (.53 mm)	Most traffic paints — Light film
0562308	4"-8" (102-203 mm)	.023" (.58 mm)	Most traffic paints — Heavy film
0562328	6"-12" (152-305 mm)	.023" (.58 mm)	Most traffic paints — Medium film

Cleanup



Special cleanup instructions for use with flammable solvents:

- Always flush spray gun preferably outside and at least one hose length from spray pump.
- If collecting flushed solvents in a one gallon metal container, place it into an empty five gallon container, then flush solvents.
- Area must be free of flammable vapors.
- Follow all cleanup instructions.



The sprayer, hose, and gun should be cleaned thoroughly after daily use. Failure to do so permits material to build up, seriously affecting the performance of the unit.

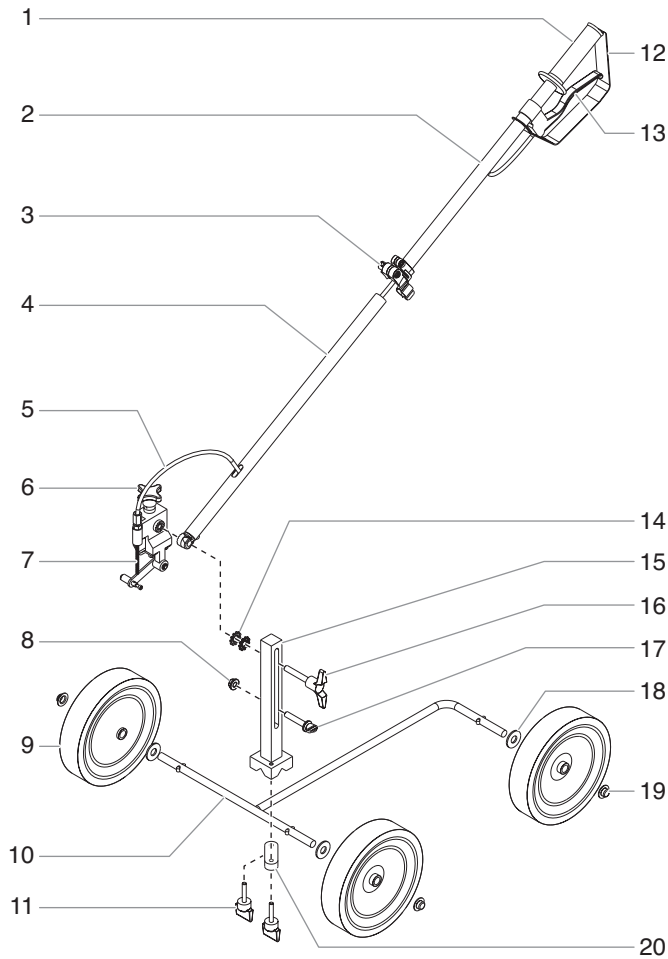


Always spray at minimum pressure with the gun nozzle tip removed when using mineral spirits or any other solvent to clean the sprayer, hose, or gun. Static electricity buildup may result in a fire or explosion in the presence of flammable vapors.

1. Follow the “Pressure Relief Procedure” outlined in the airless sprayer’s owner’s manual.
2. Follow the “Cleanup” procedure outlined in the airless sprayer’s and spray gun’s owner’s manuals.
3. Wipe down all surfaces of the LinePainter.
4. Store the LinePainter in a clean, dry area.

Parts List

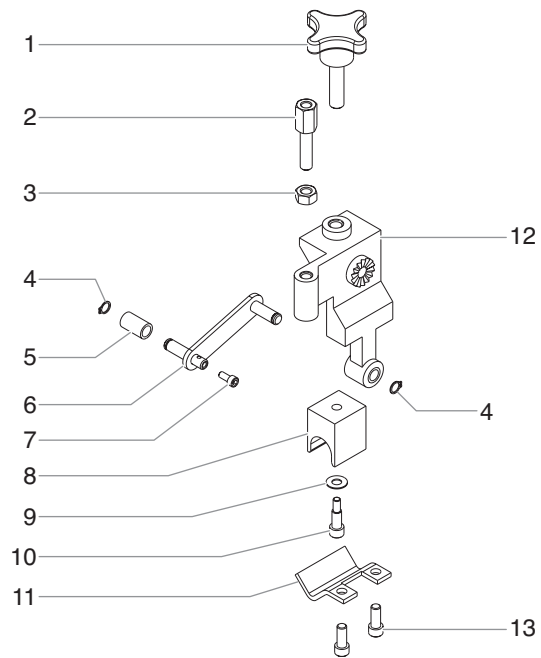
Main Assembly



Item	Part #	Description	Quantity
1	0555301	Handle grip	1
2	0555302	Gun pole, top	1
3	0555303	Pole clamp assembly	1
4	0555304	Gun pole, bottom	1
5	0555305	Cable	1
6	0555101	Gun mount assembly	1
7	0555306	Return spring	1
8	0555316	Gun stop nut	1
9	0270359	Wheel	3
10	0555307	Axle	1
11	0555308	Support knob	2
12	0555309	Trigger guard	1
13	0555310	Trigger	1
14	0555311	Star lock washer	2
15	0555312	Gun pole support	1
16	0555313	Gun pole knob	1
17	0555315	Gun stop thumbscrew	1
18	9820208	Wheel washer	3
19	0275728	Wheel cap	3
20	0555314	Support bracket	1
	0555900	Grease	1

NOTE: The gun pole and gun mount assembly can be used as a spray gun extension pole. Order knob P/N 0555329 and washer P/N 0555330 to replace items 14 and 16 for the extension pole configuration.

Gun Mount Assembly (P/N 0555101)



Item	Part #	Description	Quantity
1	0555317	Gun clamp knob	1
2	0555318	Cable adjustment screw	1
3	0555319	Jam nut	1
4	0555320	Snap ring	2
5	0555321	Bushing	1
6	0555322	Bracket	1
7	0555323	Screw	1
8	0555324	Clamp block	1
9	0555325	Washer	1
10	0555326	Screw	1
11	0555327	Gun support	1
12	0555100	Gun mount	1
13	0555328	Screw	2

Material Safety Data Sheets (MSDS) are available on Wagner's website or by calling Technical Service.

Inhaltsverzeichnis

Sicherheitshinweise.....	7
Allgemeine Beschreibung	8
Montage.....	8
Betrieb	9
Konfiguration.....	9
Farbgebung	10
LinePainter vorbereiten.....	10
Tabelle der Spritzdüsen	10
Reinigung	11
Teileliste	12
Hauptbaugruppe	12
Spritzpistolenhalterung	13

Sicherheitshinweise

Diese Bedienanleitung enthält Informationen, die der Benutzer vor Verwendung des Geräts gründlich durcharbeiten muss. In Bereichen, die mit den folgenden Symbolen gekennzeichnet sind, besonders vorsichtig arbeiten und alle Sicherheitshinweise beachten.



Dieses Symbol verweist auf eine potenzielle Gefahr, die zum Tode oder zu schweren Verletzungen führen kann. Hier finden Sie wichtige Sicherheitsinformationen.



Dieses Symbol weist auf eine potenzielle Gefahr für Sie bzw. das Gerät hin. Unter diesem Symbol finden Sie wichtige Informationen, wie Sie Schäden an dem Gerät und Verletzungsgefahr vermeiden.

HINWEIS: Hinweise enthalten wichtige Informationen, die beachtet werden sollten.



GEFAHR: Verletzung durch Flüssigkeiten unter Druck - Eine unter hohem Druck stehende Flüssigkeit, wie sie von diesem Gerät erzeugt wird, kann die Haut durchdringen und in das darunter liegende Bindegewebe eindringen und so zu schweren Verletzungen und selbst zur Amputation führen. Sofort einen Arzt aufsuchen.

EINE VERLETZUNG DURCH EINE INJEKTION VON FLÜSSIGKEIT UNTER DRUCK NICHT WIE EINEN NORMALEN SCHNITT BEHANDELN! Eindringen von Flüssigkeiten unter Druck in das Gewebe können Amputationen erforderlich machen. Sofort einen Arzt aufsuchen.

VORSICHTSMASSNAHMEN:

- NIEMALS die Spritzpistole auf Körperteile halten.
- NIEMALS mit Körperteilen den Flüssigkeitsstrahl berühren. NIEMALS mit dem Körper eine Leckstelle im Druckschlauch berühren.
- NIEMALS die Hand vor die Düse der Spritzpistole halten. Handschuhe stellen keinen sicheren Schutz vor Verletzungen durch injizierte Flüssigkeiten dar.
- STETS den Auslöser der Spritzpistole verriegeln, die Pumpe ausschalten und den Druck vollständig entspannen, bevor Wartungs- und Reinigungsarbeiten, Durchsichten, Düsenwechsel oder ähnliche Arbeiten durchgeführt werden oder das Gerät unbeaufsichtigt gelassen wird. Auch nach dem Ausschalten des Motors steht das Gerät noch unter Druck. Der Griff für das Grundierungs- und Spritzventil muss in die Stellung PRIME gedreht werden, um den Druck zu entspannen. Weitere Hinweise zum Abbau des Drucks finden Sie in der Bedienanleitung für die Pumpe.

- STETS den Düsenschutz aufsetzen, wenn Spritzarbeiten durchgeführt werden. Der Düsenschutz stellt einen gewissen Schutz dar, ist aber vor allem als Warnvorrichtung gedacht.
- STETS die Spritzdüse entfernen, bevor das System gereinigt oder gespült wird.
- Durch Verschleiß, Knicken und nicht zweckentsprechende Verwendung können sich Leckstellen im Farbschlauch bilden. Durch eine Leckstelle kann Flüssigkeit in die Haut injiziert werden. Vor Verwendung den Schlauch gründlich prüfen.
- NIEMALS eine Spritzpistole ohne funktionsfähige Auslöserverriegelung und ohne Auslöserbügel verwenden.
- Das gesamte Zubehör muss mindestens für den maximalen Betriebsdruckbereich des Spritzgeräts zugelassen sein. Dazu gehören Spritzdüsen, Spritzpistolen, Verlängerungen und Schlauch.

HINWEIS FÜR DEN ARZT:

Injektionsverletzungen der Haut sind traumatische Verletzungen. Diese Verletzung muss unbedingt so schnell wie möglich behandelt werden. Die Behandlung NICHT hinauszögern, um erst die Toxizität zu prüfen. Toxizität spielt bei einigen Lacken eine Rolle, wenn diese direkt in den Blutkreislauf injiziert werden. Es ist sinnvoll, in diesem Fall einen plastischen Chirurgen oder einen Chirurgen zur Handwiederherstellung zu konsultieren.

GEFAHR: EXPLOSIONS- und BRANDGEFAHR - Lösungsmittel und Farbdämpfe können sich entzünden oder explodieren. Schwere Verletzungen und/oder Sachschäden können die Folge sein.

VORSICHTSMASSNAHMEN:

- Für guten Abzug und Zufuhr von Frischluft sorgen, damit sich im Spritzbereich keine entzündlichen Dämpfe sammeln.
- Alle Zündquellen wie Funken durch elektrostatische Entladung, Elektrogeräte, offene Flammen, Zündflammen, heiße Gegenstände und Funken durch Schließen und Trennen von Netzkabeln oder Betätigen von Arbeitsscheinwerferschaltern ausschließen.
- Im Spritzbereich nicht rauchen.
- Es muss ein funktionsfähiger Feuerlöscher vorhanden sein.
- Das Spritzgerät mindestens 6,1 m (20 Fuß) von dem zu bespritzenden Gegenstand in einem gut belüfteten Bereich aufstellen (gegebenenfalls einen Verlängerungsschlauch benutzen). Entzündliche Dämpfe sind oft schwerer als Luft. Die Fläche über dem Boden muss besonders gut belüftet werden. Die Pumpe enthält Teile, bei denen eine Lichtbogenbildung nicht ausgeschlossen werden kann und die durch Funken Dämpfe entzünden.
- Die zu bespritzenden Objekte und die Ausrüstung im Spritzbereich müssen sorgfältig geerdet werden, um Funken durch elektrostatische Entladungen zu vermeiden.
- Nur leitfähige bzw. geerdete Hochdruckflüssigkeitsschläuche verwenden. Die Spritzpistole muss über die Schlauchanschlüsse geerdet sein.
- Das Netzkabel muss an einem Schutzkontaktstromkreis angeschlossen sein.
- Das Gerät immer in einem separaten Metallbehälter mit niedrigem Pumpendruck und entfernter Spritzdüse spülen. Die Spritzpistole fest an die Wand des Behälters halten, um den Behälter zu erden und Funken durch elektrostatische Entladungen zu verhindern.
- Die Warnhinweise und Vorschriften des Herstellers der Lösungsmittel und Materialien einhalten.
- Besonders vorsichtig arbeiten, wenn Materialien mit einem Flammpunkt unter 21 °C (70 °F) verarbeitet werden. Der Flammpunkt ist die Temperatur, bei der eine Flüssigkeit so viele Dämpfe entwickelt, dass sich diese entzünden können.

- Kunststoffe können elektrostatische Entladungen verursachen. Niemals Kunststofffolien zur Abschirmung des Spritzbereichs verwenden. Keine Wegwerfkleidung aus Kunststoff tragen, wenn entflammbare Materialien verspritzt werden.
- Zum Spülen des Geräts immer mit einer möglichst niedrigen Druckeinstellung arbeiten.

BENZINMOTOR (SO FERN ZUTREFFEND)

Das Spritzgerät stets außerhalb des Gebäudes im Freien aufstellen. Lösungsmittel von der Abgasanlage des Motors fern halten. Den Kraftstofftank niemals bei heißem oder laufendem Motor betanken. Verschütteter Kraftstoff kann sich auf heißen Oberflächen entzünden. Die Pumpe stets über ein Erdkabel mit einem geerdeten Gegenstand verbinden. In der Bedienanleitung finden Sie die vollständigen Sicherheitsinformationen.

GEFAHR: EXPLOSIONSGEFAHR AUFGRUND INKOMPATIBLER MATERIALIEN - Inkompatible Materialien können schwere Personen- und Sachschäden verursachen.

VORSICHTSMASSNAHMEN:

- Keine Materialien verarbeiten, die Chlor oder Hypochlorid enthalten.
- Keine halogenierten Kohlenwasserstoffe als Lösungsmittel verwenden, beispielsweise Hypochloridlösung, Schimmelbekämpfungsmittel, Methylenchlorid und 1,1,1-Trichlorethan. Diese Lösungsmittel greifen Aluminium an.
- Genaue Informationen über die Verträglichkeit der Materialien mit Aluminium erfahren Sie vom Lieferanten der Lacke.

GEFAHR: GEFÄHRLICHE DÄMPFE - Farben, Insektizide, Lösungsmittel und andere Materialien können beim Einatmen oder beim Kontakt mit dem Körper gesundheitsschädlich sein. Die Dämpfe können schwere Übelkeit, Ohnmacht und Vergiftungen verursachen.

VORSICHTSMASSNAHMEN :

- Wenn die Gefahr besteht, dass Dämpfe eingeatmet werden, eine Gesichtsmaske oder ein Atemgerät tragen. Alle mit der Gesichtsmaske mitgelieferten Anleitungen durcharbeiten, damit die Gesichtsmaske auch den gewünschten Schutz bietet.
- Arbeitsschutzbrille tragen.
- Arbeitsschutzkleidung entsprechend den Anweisungen des Lackherstellers tragen.

GEFAHR: ALLGEMEINES - Kann schwere Personen- oder Sachschäden verursachen.

VORSICHTSMASSNAHMEN :

- Alle Anweisungen und Sicherheitshinweise vor Inbetriebnahme des Geräts durcharbeiten.
- Alle lokalen sowie im Land bzw. Bundesland geltenden Vorschriften zum Brandschutz, zur Bedienung und Lüftung einhalten.
- Nur vom Hersteller zugelassene Teile verwenden. Bei Verwendung von Teilen, die nicht die technischen Mindestanforderungen erfüllen, trägt der Benutzer alle Risiken und die gesamte Haftung. Dies gilt auch für die Sicherheitsvorrichtungen der Pumpe.
- Vor jedem Einsatz alle Schläuche auf Einschnitte, Leckstellen, Scheuerstellen oder gewölbte Oberflächen kontrollieren. Die Kupplungen auf Unversehrtheit und festen Sitz kontrollieren. Schläuche unverzüglich ersetzen, wenn einer der oben genannten Fehler festgestellt wird. Einen Farbschlauch niemals reparieren. Einen defekten Schlauch durch einen geerdeten Hochdruckschlauch ersetzen.
- Alle Schläuche, Gelenke, Spritzpistolen und das Zubehör müssen mindestens für den maximalen Betriebsdruckbereich der Spritzpistole zugelassen sein.
- An windigen Tagen nicht im Freien spritzen.
- Schutzkleidung tragen, um Haut und Haar vor der Farbe zu schützen.
- Bei Arbeiten am Gerät immer zuerst den Netzstecker ziehen (gilt nur für Elektrogeräte).

Allgemeine Beschreibung

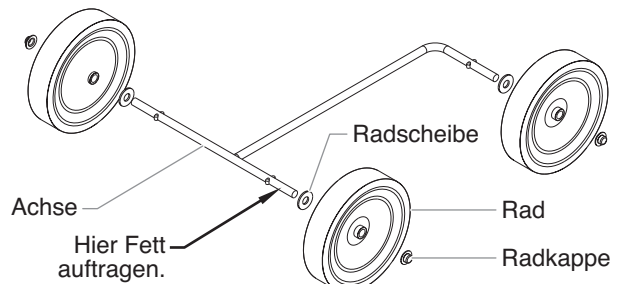
Der LinePainter ist ein portables Gerät zur Straßenmarkierung, beispielsweise zur Markierung von Parktaschen, von Feldlinien auf Sportplätzen, zur Markierung von Bordsteinkanten usw. Der LinePainter kann mit den meisten Airless-Spritzgeräten verwendet werden. Diese Bedienanleitung sorgfältig durcharbeiten, damit die Hinweise zur Vorbereitung auf den Betrieb, zur Bedienung und zur Gewährleistung der Sicherheit eingehalten werden.



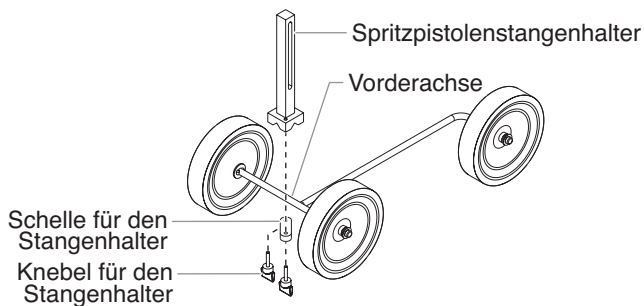
Montage

Der LinePainter muss vor der ersten Verwendung zusammengebaut werden. Zur Erstmontage ist ein Hammer erforderlich. Der LinePainter ist so konzipiert, dass er mit den Drehknöpfen und Knebeln leicht montiert und demontiert werden kann, ohne dass Werkzeug erforderlich ist.

1. Den Inhalt des Kartons auspacken.
2. Die Achse, die drei Räder, die drei Radscheiben, die drei Radkappen und den Karton mit dem Fett herausnehmen.
3. Für jedes Rad an der Achse folgende Schritte ausführen:
 - a. Auf die Achse eine geringe Menge Fett auftragen.
 - b. Eine Radscheibe auf die Achse schieben.
 - c. Ein Rad auf die Achse schieben. Die Seite des Rades mit der breiten Nabe zuerst auf die Achse schieben.
 - d. Mit einem Hammer eine Radkappe am Ende der Achse aufschlagen, um das Rad zu sichern.

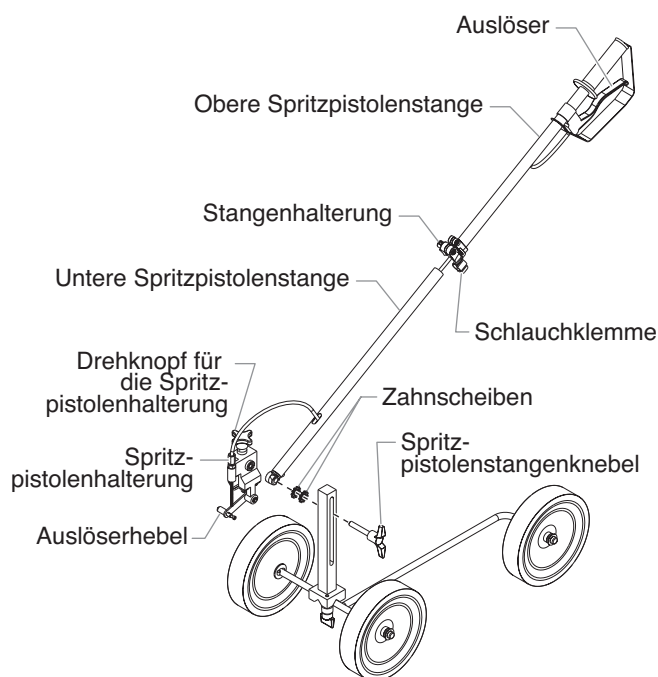


4. Den Spritzpistolenstangenhalter, die Schelle für den Stangenhalter und die beiden Knebel für den Stangenhalter herausnehmen.
5. Einen der beiden Knebel durch die Schelle in eine der Bohrungen an der Unterseite des Spritzpistolenstangenhalters drehen. Den Knebel noch nicht festziehen. Zwischen der Schelle für den Stangenhalter und dem Spritzpistolenstangenhalter genügend Platz zum Durchschieben der Achse lassen.
6. Den Spritzpistolenstangenhalter an der Vorderachse befestigen. Der Spritzpistolenstangenhalter muss auf der Achse sitzen, die Schelle für den Stangenhalter unter der Achse.
7. Die Schelle für den Stangenhalter auf die Bohrung des Spritzpistolenstangenhalters ausrichten. Den anderen Knebel durch die Schelle in die Bohrung des Spritzpistolenstangenhalters eindrehen.
8. Beide Knebel für den Stangenhalter festziehen. Der Spritzpistolenstangenhalter muss dabei gerade nach oben zeigen.

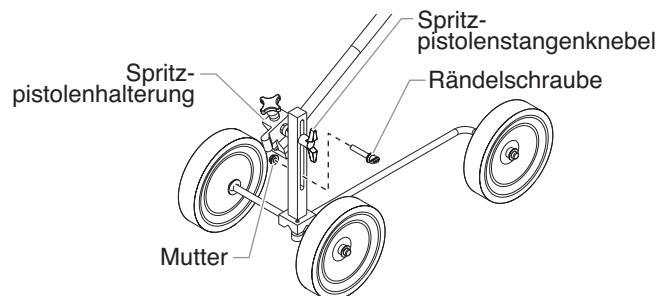


9. Die Stange für die Spritzpistole herausnehmen. Diese Stange wird in zwei Teile zerlegt geliefert, die durch den Spritzpistolenzug im Inneren der Stangenteile verbunden sind.
10. Die untere Stange für die Spritzpistole in die Stangenhalterung der oberen Stange einsetzen.
11. Die Teile aufeinander ausrichten, sodass der Auslöser an der oberen Spritzpistolenstange nach unten zeigt und der Seilzug für die Spritzpistole von der unteren Spritzpistolenstange am oberen Ende der Stange austritt.
12. Die Stangenhalterung festziehen.
13. Den Knebel der Spritzpistolenstange und die beiden Zahnscheiben herausnehmen.
14. Die Spritzpistolenhalterung an der Unterseite der Spritzpistolenstange mit dem langen Schlitz auf den Spritzpistolenstangenhalter ausrichten.
15. Den Knebel der Spritzpistolenstange von der Gegenseite des Spritzpistolenstangenhalters durch die Zahnscheiben in die Spritzpistolenhalterung an der Spritzpistolenstange einsetzen. Festziehen.
16. Eine Airless-Spritzpistole in die Spritzpistolenhalterung einsetzen.
 - a. Den Griff der Spritzpistole in die Spritzpistolenhalterung einsetzen.
 - b. Die Spritzpistole so ausrichten, dass der Auslöser am Auslöserhebel anstößt.
 - c. Den Drehknopf für die Spritzpistolenhalterung festziehen, um die Spritzpistole zu fixieren.

HINWEIS: Je nach verwendeter Airless-Spritzpistole muss die Spritzpistolenhalterung gegebenenfalls anders ausgerichtet werden. Zur Einstellung einen Sechskantschlüssel (9/64 Zoll) verwenden.



17. Den Spritzpistolenanschlag einbauen und ausrichten.
 - a. Die Spritzpistole auf die gewünschte Mindesthöhe des Spritzpistolenstangenhalters ausrichten. Den Knebel der Spritzpistolenstange festziehen, um die Spritzpistole in dieser Position zu fixieren.
 - b. Die Rändelschraube für den Spritzpistolenanschlag durch den Schlitz des Spritzpistolenstangenhalters einführen, sodass die Rändelschraube unter der Spritzpistolenhalterung platziert ist.
 - c. Die Rändelschraube für den Spritzpistolenanschlag im Schlitz nach oben schieben, bis sie an der Unterseite der Spritzpistolenhalterung anstößt.
 - d. Die Mutter für den Spritzpistolenanschlag auf die betreffende Rändelschraube aufdrehen und festziehen.
 - e. Den Knebel der Spritzpistolenstange lockern.
 - f. Den Griff so einstellen, dass die Spritzpistole auf die gewünschte Betriebsstellung und den gewünschten Winkel eingestellt ist. Den Knebel der Spritzpistolenstange festziehen.



Betrieb



Dieses Gerät erzeugt einen Flüssigkeitsstrahl mit extrem hohem Druck. Vor Inbetriebnahme die Warnhinweise im Abschnitt „Sicherheitshinweise“ am Beginn dieser Bedienanleitung sowie die Warnhinweise in den Bedienanleitungen für das Airless-Spritzgerät und die Airless-Spritzpistole gründlich durcharbeiten.

Konfiguration

Zur Vorbereitung des LinePainters auf den Betrieb die folgenden Schritte ausführen.



Die richtige Erdung aller Airless-Schläuche und Airless-Spritzpistolen kontrollieren, alle Schläuche und Spritzpistolen müssen für den maximalen Betriebsdruckbereich des Spritzgerätes zugelassen sein.

1. Die Hinweise zur Konfiguration sowie die Sicherheitshinweise aus der Bedienanleitung für das Airless-Spritzgerät einhalten.
2. Die Hinweise zur Konfiguration sowie die Sicherheitshinweise aus der Bedienanleitung für die Airless-Spritzpistole einhalten.



Den Auslöser der Spritzpistole stets verriegelt lassen, während das System auf die Inbetriebnahme vorbereitet wird.

3. Mit einem Schraubenschlüssel einen Airless-Nylonspritzschlauch (1/4 Zoll) von mindestens 15 m Länge am Spritzgerät anschließen. Festziehen.
4. Das andere Ende des Schlauchs mit der Airless-Spritzpistole in der Spritzpistolenhalterung des LinePainters verbinden. Den Schlauch mit zwei Schraubenschlüsseln (einem an der Spritzpistole und einem am Schlauch) festziehen.
5. Den Airless-Schlauch mit der Schlauchklemme an der Spritzpistolenstange befestigen.

- Den LinePainter für die gewünschte Farbgebung vorbereiten (gerade Linie, Kurve, Bordsteinkante usw.). Weitere Informationen zu den verschiedenen Konfigurationsmöglichkeiten des LinePainters finden Sie im Abschnitt „LinePainter vorbereiten“ der Betriebsanleitung.

⚠ GEFAHR

Vor der Änderung der Konfiguration des LinePainters kontrollieren, ob das Airless-Spritzgerät ausgeschaltet und der Auslöser an der Spritzpistole verriegelt ist und ob der Druck im System vollständig entspannt wurde.

Farbgebung

- Das Airless-Spritzgerät so aufstellen, dass es sich in der Nähe des Arbeitsbereiches befindet, aber kein Hindernis darstellt.
- Den Schlauch so aufwickeln, dass er sich bei der Durchführung der Arbeiten ungehindert abwickeln kann.
- Das Airless-Spritzgerät einschalten. Die Hinweise zur Inbetriebnahme sowie die Sicherheitshinweise aus der Bedienanleitung für das Airless-Spritzgerät befolgen.

⚠ GEFAHR

GEFAHR EINER FLÜSSIGKEITSINJEKTION - Keine Spritzarbeiten ohne den Düsenschutz durchführen. Den Auslöser der Spritzpistole nur betätigen, wenn der Düsenschutz entweder in der Spritzposition oder in der Position zur Düsenreinigung steht. Den Spritzpistolenauslöser immer verriegeln, bevor der Düsenschutz entfernt, ersetzt oder gereinigt wird.

- Den LinePainter so aufstellen, dass er etwas vor dem Arbeitsbereich steht.
- Mit dem LinePainter vorwärts gehen und die Spritzpistole auslösen, sobald der Arbeitsbereich erreicht ist.
- Am Ende der gewünschten Markierung den Auslöser der Spritzpistole freigeben und möglichst noch eine kurze Strecke weiterlaufen.

HINWEIS: Wird der Auslöser der Spritzpistole betätigt, wenn sich der LinePainter bereits in Bewegung befindet, und wird der Auslöser der Spritzpistole losgelassen, noch bevor der LinePainter stoppt, ergibt sich eine gerade Linie von Anfang bis Ende. Wenn die Farbgebung an einem Hindernis endet, den Auslöser der Spritzpistole loslassen, sobald sich der LinePainter nicht mehr bewegt.

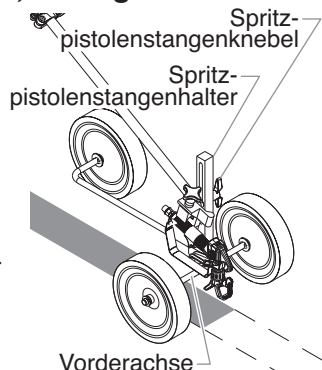
LinePainter vorbereiten

Der LinePainter kann für verschiedene Markierungsarbeiten konfiguriert werden. Weitere Informationen zu den häufigsten LinePainter-Konfigurationsmöglichkeiten finden Sie in den folgenden Abschnitten.

Markierung einer geraden, durchgehenden Linie

Am häufigsten wird eine gerade, durchgehende Markierung benötigt. Hinweise zur Montage des LinePainters für die Ausführung einer geraden, durchgehenden Markierung finden Sie im Abschnitt „Montage“ dieser Bedienanleitung.

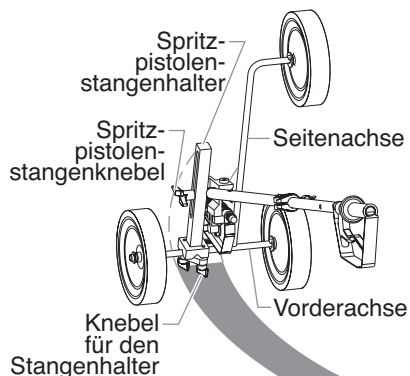
- Den Spritzpistolenslangenhalter an der Vorderachse montieren.
- Den Knebel der Spritzpistolenslange lockern, um Höhe und Winkel der Spritzpistole für die gewünschte Markierungsgröße einzustellen. Den Spritzpistolenslangenknebel festziehen.



Markierung einer Kurve

Der LinePainter kann auch für die Markierung einer Kurve konfiguriert werden.

- Den Spritzpistolenslangenhalter an der Vorderachse montieren.
- Die Knebel für den Spritzpistolenslangenhalter lockern.
- Das Hinterrad so drehen, dass nur die beiden Vorderräder den Boden berühren. Seitenachse und Hinterrad müssen vertikal über der Vorderachse und den Vorderrädern stehen.
- Die beiden Knebel für den Spritzpistolenslangenhalter festziehen.
- Den Knebel der Spritzpistolenslange lockern, um Höhe und Winkel der Spritzpistole für die gewünschte Markierungsgröße einzustellen. Den Knebel der Spritzpistolenslange festziehen.



HINWEIS: Bei der Konfiguration des LinePainters für eine Kurve muss der Knebel der Spritzpistolenslange sorgfältig festgezogen werden. Wenn der Knebel nicht richtig festgezogen ist, rutschen Hinterrad und Seitenachse wieder auf den Boden.

Markierung einer Bordsteinkante

Der LinePainter kann auch für die Markierung einer Bordsteinkante konfiguriert werden.

- Den Spritzpistolenslangenhalter an der Seitenachse im gleichen Abstand zwischen den beiden Rädern montieren. Die Spritzpistole muss an der Achse nach außen zeigen.
- Den Knebel der Spritzpistolenslange lockern, um Höhe und Winkel der Spritzpistole einzustellen. Die Spritzpistole auf die Abschrägung der Bordsteinkante ausrichten, sodass die Farbe gleichmäßig sowohl auf die vertikale als auch auf die horizontale Seite des Bordsteins gespritzt wird. Den Spritzpistolenslangenknebel festziehen.

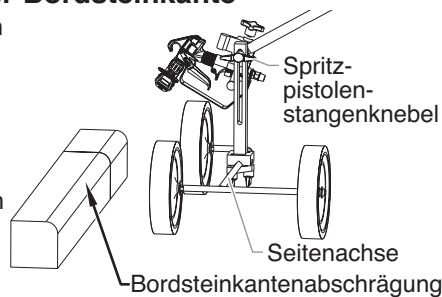


Tabelle der Spritzdüsen

Teilenummer	Linienbreite	Düsengröße	Einsatzbereiche
0561504	2"-3" (51-76 mm)	.015" (.38 mm)	Spielfeldmarkierungen — geringe Schichtdicke
0561508	4"-8" (102-203 mm)	.015" (.38 mm)	Spielfeldmarkierungen — geringe Schichtdicke
0561704	2"-3" (51-76 mm)	.017" (.43 mm)	Farben für Fahrbahnen — mittlere Schichtdicke
0561708	4"-8" (102-203 mm)	.017" (.43 mm)	Farben für Fahrbahnen — geringe Schichtdicke
0561904	2"-3" (51-76 mm)	.019" (.48 mm)	Farben für Fahrbahnen — große Schichtdicke
0561908	4"-8" (102-203 mm)	.019" (.48 mm)	Farben für Fahrbahnen — mittlere Schichtdicke
0562108	4"-8" (102-203 mm)	.021" (.53 mm)	Farben für Fahrbahnen — große Schichtdicke
0562112	6"-12" (152-305 mm)	.021" (.53 mm)	Farben für Fahrbahnen — geringe Schichtdicke
0562308	4"-8" (102-203 mm)	.023" (.58 mm)	Farben für Fahrbahnen — große Schichtdicke
0562328	6"-12" (152-305 mm)	.023" (.58 mm)	Farben für Fahrbahnen — mittlere Schichtdicke

Reinigung



Besondere Reinigungshinweise bei Verwendung entflammbarer Lösungsmittel:

- Die Spritzpistole stets im Freien und möglichst eine Schlauchlänge von der Spritzpumpe entfernt spülen.
- Werden die zur Spülung verwendeten Lösungsmittel in einem Metallbehälter von etwa 5 l Fassungsvermögen aufgefangen, diesen in einen Behälter mit einem Fassungsvermögen von etwa 20 l stellen und erst dann weiter spülen.
- Im Arbeitsbereich dürfen sich keine entzündlichen Dämpfe sammeln.
- Alle Reinigungshinweise einhalten.



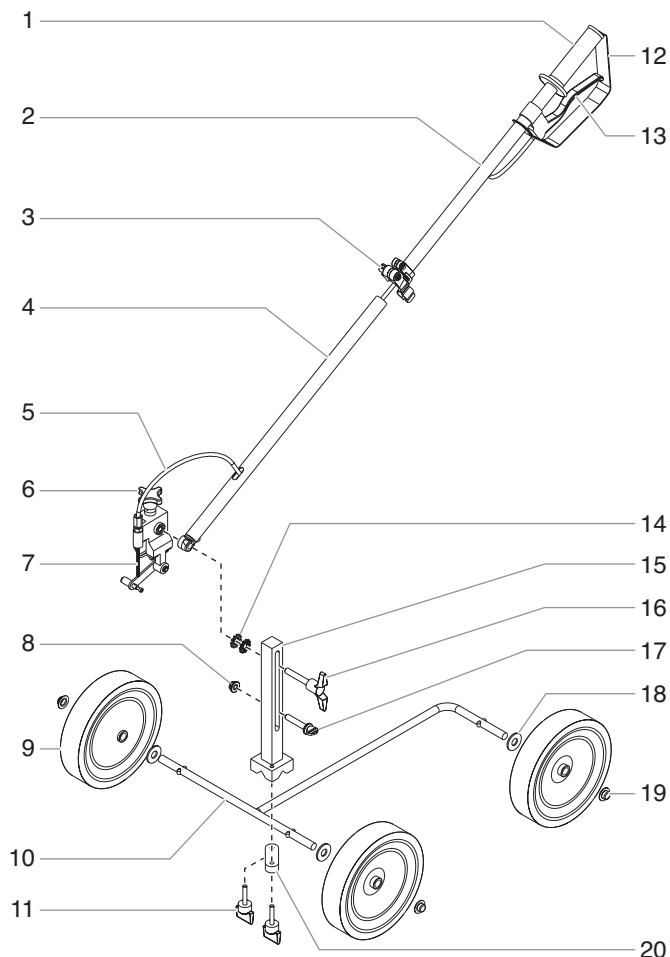
Das Spritzgerät, der Schlauch und die Spritzpistole müssen jeden Tag gründlich gereinigt werden. Geschieht dies nicht, kann sich die Farbe absetzen und die Leistung des Gerätes erheblich beeinträchtigen.



Immer mit möglichst niedrigem Druck spritzen, wenn der Düsenschutz der Spritzpistole abgebaut ist und das Spritzgerät, der Schlauch oder die Spritzpistole mit Lösungsbenzin oder anderen Lösungsmittel gereinigt werden. Elektrostatische Aufladungen können zu Bränden oder Explosionen führen, wenn entzündliche Dämpfe vorhanden sind.

1. Die Hinweise zum „Abbau des Drucks“ sowie die Sicherheitshinweise aus der Bedienanleitung für das Airless-Spritzgerät einhalten.
2. Die Hinweise zur „Reinigung“ aus den Bedienanleitungen für das Airless-Spritzgerät sowie die Airless-Spritzpistole einhalten.
3. Alle Oberflächen des LinePainters abwischen.
4. Den LinePainter an einem trockenen, sauberen Ort aufbewahren.

Teileliste Hauptbaugruppe

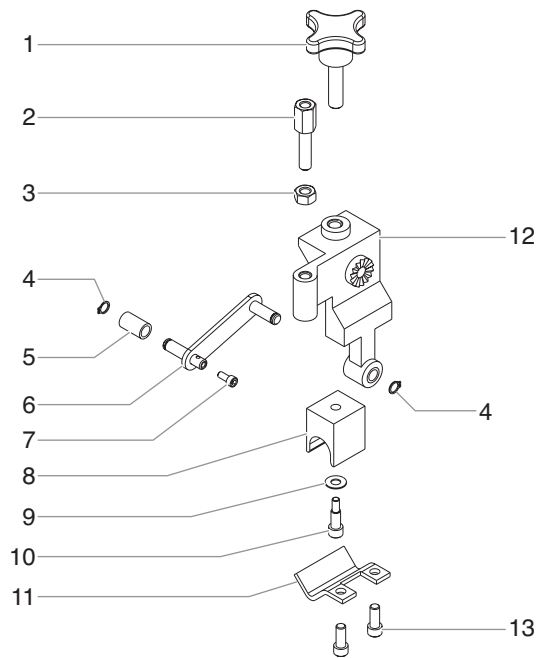


Position	Teil-Nr.	Beschreibung	Stückzahl
1	0555301	Handgriff	1
2	0555302	Obere Spritzpistolenstange	1
3	0555303	Stangenhalterung	1
4	0555304	Untere Spritzpistolenstange	1
5	0555305	Seilzug	1
6	0555101	Spritzpistolenhalterung	1
7	0555306	Rückholfeder	1
8	0555316	Spritzpistolenanschlagmutter	1
9	0270359	Rad	3
10	0555307	Achse	1
11	0555308	Stangenhalterknebel	2
12	0555309	Auslöserverriegelung	1
13	0555310	Auslöser	1
14	0555311	Zahnscheibe	2
15	0555312	Spritzpistolenstangenhalter	1
16	0555313	Spritzpistolenstangenknebel	1
17	0555315	Rändelschraube für den Spritzpistolenanschlag	1
18	9820208	Radscheibe	3
19	0275728	Radkappe	3
20	0555314	Stangenhalterschelle	1
	0555900	Fett	1

HINWEIS: Die Spritzpistolenstange und die Spritzpistolenhalterung können als verlängerte Spritzpistolenstange verwendet werden. Wird eine verlängerte Spritzpistolenstange benötigt, den Knopf, Teilenummer 0555329, und die Unterlegscheibe, Teilenummer 0555330, bestellen und die Teile 14 und 16 ersetzen.



Spritzpistolenhalterung (P/N 0555101)



Position	Teil-Nr.	Beschreibung	Stückzahl
1	0555317	Drehknopf für die Spritzpistolenhalterung	1
2	0555318	Einstellschraube für den Seilzug	1
3	0555319	Sicherungsmutter	1
4	0555320	Sicherungsring	2
5	0555321	Buchse	1
6	0555322	Halterung	1
7	0555323	Schraube	1
8	0555324	Klemmblock	1
9	0555325	Unterlegscheibe	1
10	0555326	Schraube	1
11	0555327	Spritzpistolenaufnahme	1
12	0555100	Spritzpistolenhalterung	1
13	0555328	Schraube	2

Materialsicherheitsdatenblätter (MSDS-Blätter) finden Sie auf der Webseite der Firma Wagner, Sie können Sie auch telefonisch beim Kundendienst bestellen.

Table des matières

Consignes de sécurité.....	13
Description générale.....	14
Montage.....	14
Fonctionnement	15
Installation.....	15
Peinture	16
Réglage du LinePainter.....	16
Tableau de buse de rayage	16
Nettoyage.....	17
Liste de pièces	17
Assemblage principal.....	17
Bloc de montage du pistolet.....	18

Consignes de sécurité

Veillez lire et être sûr de comprendre toutes les informations contenues dans ce manuel avant d'utiliser l'appareil. Lorsque vous pénétrez dans une zone qui contient les symboles suivants, soyez particulièrement vigilant et vérifiez que les systèmes de sécurité sont bien installés.

AVERTISSEMENT

Ce symbole indique un risque potentiel pouvant entraîner des blessures graves ou même mortelles. Vous trouverez ci-après d'importantes consignes de sécurité

ATTENTION

Ce symbole indique un risque potentiel pour vous ou pour l'appareil. D'importantes informations sur la manière d'éviter tout dommage de l'équipement ou d'éviter des blessures légères sont indiquées ci-après.

NOTA: les notes contiennent des informations qui doivent être consciencieusement respectées.

AVERTISSEMENT

RISQUE : Blessure par projection – Un courant de liquide à haute pression produit par cet équipement peut percer la peau et les tissus sous-cutanés, et entraîner des blessures graves ou une amputation. Consultez immédiatement un médecin.

N'ESSAYEZ PAS DE TRAITER UNE BLESSURE PAR PROJECTION COMME UNE SIMPLE COUPURE ! Les blessures par projection peuvent entraîner une amputation. Consultez immédiatement un médecin.

PRÉVENTION :

- NE dirigez JAMAIS le pistolet vers une partie du corps, quelle qu'elle soit.
- NE laissez JAMAIS une partie du corps entrer en contact avec le flux de liquide. NE laissez JAMAIS votre corps au contact d'une fuite dans le tuyau de liquide.
- NE placez JAMAIS vos mains devant le pistolet. Les gants ne constituent pas un rempart suffisant contre les blessures par projection.
- Bloquez TOUJOURS la gâchette du pistolet, éteignez la pompe et vidangez toute la pression avant toute opération d'entretien, avant de nettoyer une buse ou une protection, avant de changer une buse ou si vous laissez l'appareil sans surveillance. La pression ne s'évacue pas simplement en éteignant le moteur. La manette de PRIME/SPRAY (AMORCEUR/PULVÉRISATEUR) doit être placée en position PRIME pour vidanger la pression. Consultez la Procédure de décompression décrite dans le manuel de la pompe.
- Conservez TOUJOURS la protection de la buse en place lorsque vous pulvérisez. La protection de la buse fournit une certaine protection mais il s'agit principalement d'un système d'alarme.
- Enlevez TOUJOURS la buse de pulvérisation avant de rincer ou de nettoyer le système.

- Le tuyau de peinture peut présenter des fuites dues à l'usure, aux pincements et aux mauvaises utilisations. Toute fuite peut entraîner une projection de matériau dans la peau. Vérifiez soigneusement le tuyau avant chaque utilisation.
- N'utilisez JAMAIS un pistolet pulvérisateur sans blocage de gâchette et sans protection de gâchette.
- Tous les accessoires doivent pouvoir travailler à la pression de travail maximale du pulvérisateur ou au-dessus. Ceci concerne les buses de pulvérisation, les pistolets, les rallonges et le tuyau.

REMARQUE POUR LE MÉDECIN :

Les projections de peinture dans la peau entraînent des blessures graves. Il est important de traiter la blessure aussi tôt que possible. NE retardez PAS le traitement pour rechercher la toxicité. La toxicité est importante lorsque des enduits sont directement injectés dans le sang. Il peut être recommandé de consulter un chirurgien plastique ou un spécialiste de la chirurgie reconstructrice de la main.

RISQUE : EXPLOSION et INCENDIE – Les émanations de solvants et de peintures peuvent exploser ou s'enflammer. Elles peuvent entraîner des blessures graves et/ou des dégâts matériels.

PRÉVENTION :

- Prévoyez un système puissant d'échappement et d'aération dans la zone de pulvérisation afin d'éviter l'accumulation de vapeurs inflammables.
- Évitez toutes sources d'ignition telles que les étincelles d'électricité statique, les appareils électriques, les flammes, les témoins lumineux, les objets chauds et les étincelles lors du branchement et débranchement de fils électriques ou lors du fonctionnement d'interrupteurs.
- Ne fumez pas dans la zone de pulvérisation.
- Prévoyez un extincteur en bon état de marche dans la zone.
- Placez le vaporisateur à au moins 6,1 m de l'objet à pulvériser dans une surface bien ventilée (ajoutez une rallonge de tuyau au besoin). Les vapeurs inflammables sont souvent plus lourdes que l'air. La surface au sol doit être extrêmement bien ventilée. La pompe contient des parties de formation d'arc qui émettent des étincelles et peuvent enflammer les vapeurs.
- Les équipements et objets contenus dans et autour de la zone de pulvérisation doivent être correctement reliés à la masse pour prévenir les étincelles d'électricité statique.
- N'utilisez qu'un tuyau de liquide à haute pression conducteur ou relié à la masse. Le pistolet doit être relié à la masse par les raccords du tuyau.
- Le fil électrique doit être relié à un circuit relié à la masse.
- Rincez toujours l'appareil dans un conteneur métallique isolé, avec une pression de pompe faible, et une fois la buse de pulvérisation démontée. Maintenez fermement le pistolet contre le côté du conteneur pour relier le conteneur à la masse et empêcher la formation d'étincelles d'électricité statique.
- Suivez attentivement les avertissements et consignes du fabricant du matériau et du solvant.
- Soyez particulièrement vigilant lorsque vous utilisez des matériaux avec un point d'éclair inférieur à 21° C. Le point d'éclair est la température à laquelle un liquide peut produire assez de vapeurs pour s'enflammer.
- Le plastique peut entraîner la formation d'étincelles statiques. N'installez jamais de parois en plastique pour fermer la zone de vaporisation. N'utilisez pas de chiffon en plastique lorsque vous pulvérisez des matériaux inflammables.
- Utilisez la pression la plus basse possible pour rincer l'équipement.

MOTEUR À ESSENCE (SI CONCERNÉ)

Placez toujours le vaporisateur hors de la structure, à l'air libre. Conservez tous les solvants à l'écart de l'échappement du moteur. Ne remplissez jamais le réservoir à essence lorsque le moteur est chaud ou en marche. Les surfaces chaudes peuvent enflammer l'essence déversée. Reliez toujours le fil de mise à la masse de la pompe à un objet relié à la masse. Consultez le manuel d'utilisateur du moteur pour plus d'informations concernant la sécurité.

RISQUE : RISQUE D'EXPLOSION DÙ À DES MATÉRIAUX INCOMPATIBLES – entraîne des blessures graves ou des dégâts matériels.

PRÉVENTION :

- N'utilisez pas de matériaux contenant de l'eau de javel ou du chlore.
- N'utilisez pas de solvants à l'hydrocarbure hydrogéné tels que l'eau de javel, les produits anti-moisissure, le chlorure de méthylène et le trichloéthane 1,1,1. Ils ne sont pas compatibles avec l'aluminium.
- Prenez contact avec le fournisseur d'enduits pour plus d'informations concernant la compatibilité du matériau avec l'aluminium.

RISQUE : VAPEURS DANGEREUSES – Les peintures, solvants, insecticides et autres matériaux peuvent être nocifs en cas d'inhalation ou de contact avec la peau. Les vapeurs peuvent entraîner de sérieuses nausées, des syncopes ou des empoisonnements.

PRÉVENTION :

- Utilisez un système de respiration ou un masque s'il existe un risque d'inhalation de vapeurs. Lisez attentivement toutes les instructions fournies avec le masque pour vous assurer qu'il fournit bien la protection nécessaire.
- Portez des protections oculaires.
- Portez des vêtements de protection selon les indications du fabricant de l'enduit.

RISQUE : GÉNÉRALITÉS – peut entraîner des blessures sévères ou des dégâts matériels.

PRÉVENTION :

- Lisez attentivement toutes les instructions et les consignes de sécurité avant de faire fonctionner l'équipement.
- Respectez toutes les réglementations locales et nationales concernant la ventilation, la prévention des incendies et le fonctionnement.
- N'utilisez que des pièces de rechange d'origine. L'utilisateur assume tous les risques s'il utilise des pièces qui ne correspondent pas aux spécifications minimales et aux dispositifs de sécurité du fabricant de la pompe.
- Avant chaque utilisation, vérifiez que les tuyaux ne présentent ni coupures, ni fuites, ni signes d'abrasion ou de renflement du revêtement. Vérifiez l'état et le mouvement des raccords. Remplacez immédiatement les tuyaux s'ils sont en mauvais état. Ne réparez jamais un tuyau de peinture. Remplacez-le par un tuyau à haute-pression relié à la masse.
- Tous les tuyaux, pivots, pistolets et autres accessoires doivent pouvoir travailler à la pression de travail maximale du pulvérisateur ou au-dessus.
- Ne vaporisez pas à l'extérieur en cas de vent.
- Portez des protections pour ne pas pulvériser de la peinture sur les cheveux ou la peau.
- Débranchez toujours le fil électrique du réseau avant de travailler sur un appareil (appareils électriques uniquement).

Description Générale

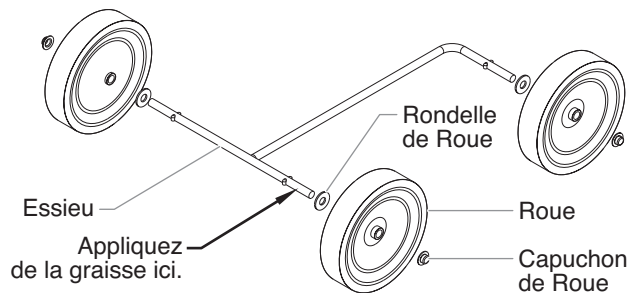
Le LinePainter est un outil portable de rayage de ligne utilisé pour peindre les repères sur les parkings, les terrains de sports, les virages, etc.. Le LinePainter peut être utilisé avec la plupart des vaporisateurs sans air. Lisez et respectez attentivement les instructions de ce manuel concernant l'installation, l'utilisation et la sécurité.



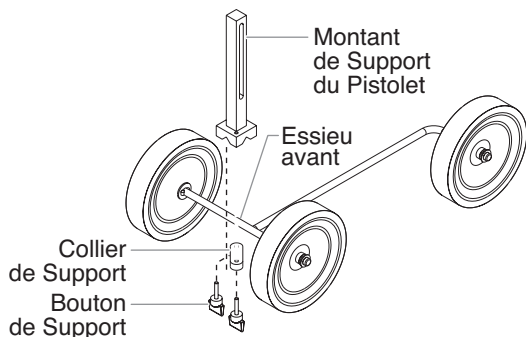
Montage

Le LinePainter doit être monté avant d'être utilisé pour la première fois. Vous aurez besoin d'un marteau pour le premier montage. Dans tous les autres cas, le LinePainter a été conçu pour être facilement monté et démonté grâce aux molettes manuelles.

1. Déballez le contenu de la caisse.
2. Séparez l'essieu, les trois roues, les rondelles des trois roues, les capuchons des trois roues et le sachet de graisse.
3. Sur chaque emplacement de roue sur l'essieu :
 - a. Appliquez un peu de graisse sur l'essieu.
 - b. Introduisez une rondelle de roue sur l'essieu.
 - c. Montez la roue sur l'essieu. Vérifiez que le côté de la roue où le moyeu est déplié est installé en premier sur l'essieu.
 - d. À l'aide d'un marteau, enfoncez un capuchon de roue sur l'extrémité de l'essieu pour fixer la roue.

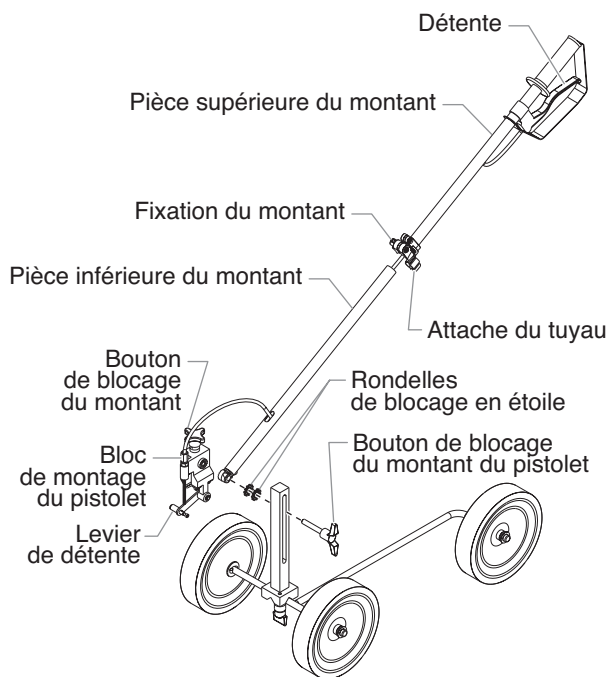


4. Isolez le montant de support du pistolet, le collier de support, et les deux boutons de support.
5. Enfoncez l'un des boutons de support dans le collier de support et dans l'un des trous de la partie inférieure du montant de support du pistolet. Ne serrez pas le support/bouton. Laissez assez d'espace entre le collier de support et le montant de support du pistolet pour permettre à l'essieu de passer au milieu.
6. Placez le montant de support du pistolet sur l'essieu avant. Assurez-vous que le montant de support du pistolet repose bien sur l'essieu avec le collier de support sous l'essieu.
7. Alignez le collier de support avec l'orifice restant sur le montant de support du pistolet. Enfoncez l'autre bouton de support dans le collier de support et dans l'orifice du montant de support du pistolet.
8. Serrez les deux boutons de support jusqu'à ce qu'ils soient bien fixés et que le montant de support du pistolet soit bien droit.

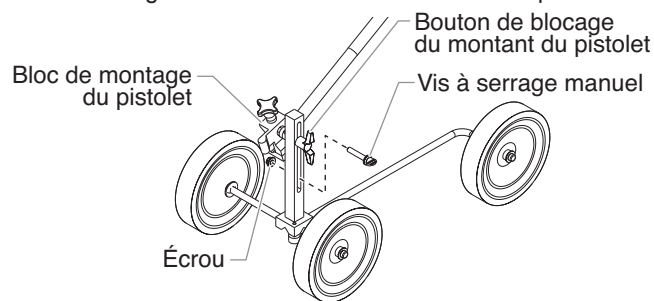


9. Isolez le montant du pistolet. Il est livré en deux parties qui sont reliées par le câble du pistolet installé au centre des pièces du montant.
10. Insérez la partie inférieure du montant du pistolet dans le bloc de montage du montant, sur la partie supérieure du montant du pistolet.
11. Alignez les pièces de telle sorte que la gâchette du haut du montant du pistolet soit dirigée vers le bas et que le câble du pistolet qui dépasse de la pièce inférieure du montant du pistolet ressorte en haut du montant.
12. Serrez la fixation du montant.
13. Isolez le bouton du montant de support du pistolet et les deux rondelles de blocage en étoile.
14. Alignez le bloc de montage du pistolet dans la partie inférieure du montant de support du pistolet avec l'encoche longue du montant de support du pistolet.
15. Insérez le bouton du montant du pistolet à partir de la partie opposée du montant de support du pistolet, par les rondelles de blocage en étoile et dans le bloc de montage du pistolet sur le montant du pistolet. Serrez fermement.
16. Installez un pistolet vaporisateur sans air sur le bloc de montage du pistolet.
 - a. Placez la poignée du pistolet dans le bloc de montage du pistolet.
 - b. Positionnez le pistolet de telle sorte que la gâchette repose sur le levier de détente.
 - c. Serrez fermement le bouton de blocage du pistolet pour le fixer en place.

NOTA: Il peut s'avérer nécessaire de régler le bloc de montage du pistolet en fonction du modèle de pistolet vaporisateur utilisé. Réglez-le à l'aide d'une clé hexagonale 9/64".



17. Installez et placez la butée du pistolet.
 - a. Placez le pistolet à la hauteur minimale souhaitée sur le support du montant de pistolet. Serrez fermement le bouton du montant du pistolet pour le fixer en place.
 - b. Insérez la vis à serrage manuel de la butée du pistolet dans l'encoche du support du montant du pistolet de telle sorte que la vis soit placée au-dessous du bloc de montage du pistolet.
 - c. Faites glisser la vis à serrage manuel vers le haut jusqu'à ce qu'elle touche le bas du bloc de montage du pistolet.
 - d. Enfilez l'écrou de butée du pistolet sur la vis de la butée et serrez fermement.
 - e. Desserrez le bouton du montant du pistolet.
 - f. Réglez la poignée de telle sorte que le pistolet soit placé dans la bonne position de fonctionnement / au bon angle. Serrez le bouton du montant du pistolet.



Fonctionnement

⚠ AVERTISSEMENT

Cet équipement produit un jet de liquide à très haute pression. Lisez attentivement et soyez sûr de bien comprendre les avertissements de la section de Consignes de sécurité dans la première partie de ce manuel ainsi que dans ceux du vaporisateur sans air et du pistolet vaporisateur avant de faire fonctionner l'équipement.

Installation

Procédez comme suit pour préparer le LinePainter pour fonctionner.

⚠ AVERTISSEMENT

Assurez-vous que les tuyaux sans air, les pivots et les pistolets pulvérisateurs sont bien reliés à la masse et peuvent fonctionner dans les limites de fonctionnement du pulvérisateur ou au-dessus.

1. Respectez la procédure d'installation et les consignes de sécurité indiquées dans le manuel d'utilisateur du pulvérisateur sans air.
2. Respectez la procédure d'installation et les consignes de sécurité indiquées dans le manuel d'utilisateur du pistolet pulvérisateur sans air.

⚠ ATTENTION

Veillez à ce que le système de blocage de la détente du pistolet pulvérisateur soit bien bloqué en position lorsque vous préparez le système.

3. À l'aide d'une clé, fixez au moins 50' de tuyau pulvérisateur sans air en nylon de " sur le pulvérisateur. Serrez fermement.
4. Fixez l'extrémité opposée du tuyau sur le pistolet vaporisateur sans air dans le bloc de montage du pistolet sur le LinePainter. À l'aide de deux clés (une sur le pistolet et une sur le tuyau), serrez fermement.
5. Attachez le tuyau sans air dans l'attache du tuyau sur le montant du pistolet.

- Configurez le LinePainter pour le type de rayures à réaliser (ligne droite, ligne courbe, tournants, etc.) Consultez le chapitre « Configuration du LinePainter » de ce manuel concernant les différentes configurations possibles du LinePainter.

⚠ AVERTISSEMENT

Vérifiez que le pulvérisateur sans air est bien éteint, le dispositif de blocage de la gâchette du pistolet pulvérisateur bloqué en position et que toute la pression est déchargée du circuit avant de modifier la configuration du LinePainter.

Peinture

- Placez le pulvérisateur sans air de telle sorte qu'il soit proche de l'endroit où doit être dessiné la ligne, mais qu'il ne gêne pas pendant l'application.
- Enroulez le tuyau de sorte qu'il ne se bloque pas ou ne bute sur aucun obstacle pendant l'application.
- Faites démarrer le pulvérisateur sans air. Respectez la procédure de mise en marche et les consignes de sécurité indiquées dans le manuel d'utilisateur du pistolet pulvérisateur sans air.

⚠ AVERTISSEMENT

RISQUE DE BLESSURES PAR PROJECTION Ne pulvérisez jamais de peinture si la protection de la buse n'est pas en place. Ne déclenchez jamais le pistolet si la buse n'est pas en position pulvérisation ou débouchage. Activez toujours le blocage de la gâchette du pistolet avant de déplacer, de remplacer ou de nettoyer une buse.

- Placez le LinePainter légèrement devant la ligne à dessiner.
- Commencez à marcher avec le LinePainter et appuyez sur la gâchette du pistolet au début de la ligne à dessiner.
- À la fin de la ligne, relâchez la gâchette et continuez à marcher sur une courte distance si possible.

NOTA: En appuyant sur la gâchette après le démarrage du LinePainter et en la relâchant avant qu'il ne s'arrête, vous pouvez peindre une ligne uniforme du début à la fin. Si la ligne à peindre se termine par un obstacle, relâchez la gâchette lorsque vous arrêtez le LinePainter.

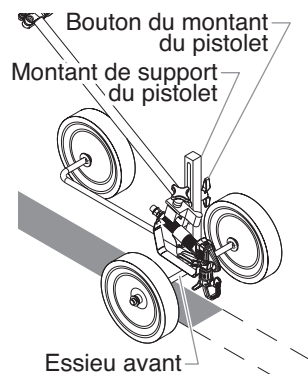
Réglage du LinePainter

Vous pouvez régler le LinePainter de différentes manières, en fonction des applications de rayage. Consultez les paragraphes suivants concernant les configurations les plus courantes du LinePainter.

Peindre une ligne droite

La peinture de lignes droites est l'application la plus courante. Le paragraphe « Montage » de ce manuel vous donne des instructions pour monter le LinePainter et peindre une ligne droite.

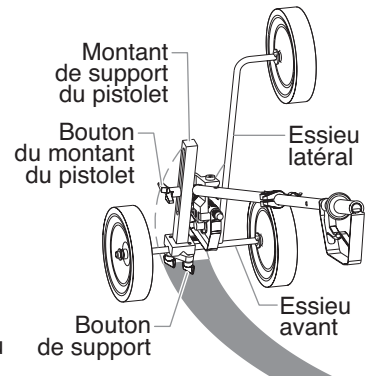
- Installez le montant de support du pistolet sur l'essieu avant.
- Desserrez le bouton du montant de support du pistolet pour régler l'angle et la hauteur du pistolet sur la taille de ligne désirée. Serrez le bouton du montant du pistolet.



Peindre des lignes courbes

Le LinePainter peut être réglé pour peindre une ligne courbe.

- Installez le montant de support du pistolet sur l'essieu avant.
- Desserrez les boutons de support du support du montant du pistolet.
- Faites tourner la roue arrière vers le haut de sorte que seules les deux roues avant touchent le sol. L'essieu latéral et la roue arrière doivent être en position verticale au-dessus de l'essieu avant et des roues avant.
- Serrez les boutons de support du support du montant du pistolet.
- Desserrez le bouton du montant de support du pistolet pour régler l'angle et la hauteur du pistolet sur la taille de ligne désirée. Serrez le bouton du montant du pistolet.



NOTA: Il est important de bien serrez le bouton de support du montant du pistolet lorsque vous configurez le LinePainter pour peindre une ligne courbe. Si le bouton n'est pas assez vissé, l'essieu latéral et la roue arrière peuvent glisser au sol.

Peindre une courbe

Le LinePainter peut être réglé pour peindre une courbe.

- Installez le montant de support du pistolet sur l'essieu latéral à égale distance entre les deux roues. Vérifiez que le pistolet pulvérisateur pointe bien vers l'extérieur de l'essieu.
- Desserrez le bouton du montant de support du pistolet pour régler l'angle et la hauteur du pistolet. Pointez le pistolet vers l'angle de la courbe pour que la peinture soit pulvérisée uniformément sur les parties verticale et horizontale de la courbe. Serrez le bouton du montant du pistolet.

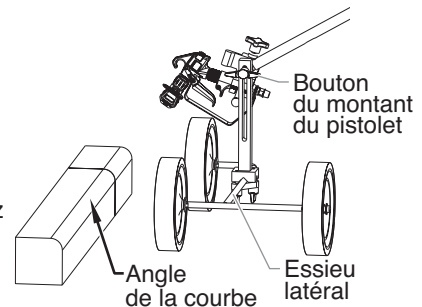


Tableau de buse de rayage

Référence de buse	Largeur de ligne	Taille de l'orifice	Utilisations habituelles
0561504	2"-3" (51-76 mm)	.015" (.38 mm)	Modèles et terrains de sports – Film léger
0561508	4"-8" (102-203 mm)	.015" (.38 mm)	Modèles et terrains de sports – Film léger
0561704	2"-3" (51-76 mm)	.017" (.43 mm)	La plupart des signalisations sur route – Film moyen
0561708	4"-8" (102-203 mm)	.017" (.43 mm)	La plupart des signalisations sur route – Film léger
0561904	2"-3" (51-76 mm)	.019" (.48 mm)	La plupart des signalisations sur route – Film épais
0561908	4"-8" (102-203 mm)	.019" (.48 mm)	La plupart des signalisations sur route – Film moyen
0562108	4"-8" (102-203 mm)	.021" (.53 mm)	La plupart des signalisations sur route – Film épais
0562112	6"-12" (152-305 mm)	.021" (.53 mm)	La plupart des signalisations sur route – Film léger
0562308	4"-8" (102-203 mm)	.023" (.58 mm)	La plupart des signalisations sur route – Film épais
0562328	6"-12" (152-305 mm)	.023" (.58 mm)	La plupart des signalisations sur route – Film moyen

Nettoyage

⚠ AVERTISSEMENT

Consignes spéciales de nettoyage lors de l'utilisation avec des solvants inflammables :

- Rincez toujours le pistolet pulvérisateur de préférence à l'extérieur et au moins à une longueur de tuyau de la pompe de pulvérisation.
- Si vous recueillez les solvants vidangés dans un conteneur en métal d'un gallon (environ 3,75 litres), placez celui-ci dans un conteneur vide de 5 gallons (environ 15 litres), puis vidangez les solvants.
- La zone doit être totalement débarrassée des vapeurs inflammables.
- Respectez toutes les consignes de nettoyage.

⚠ ATTENTION

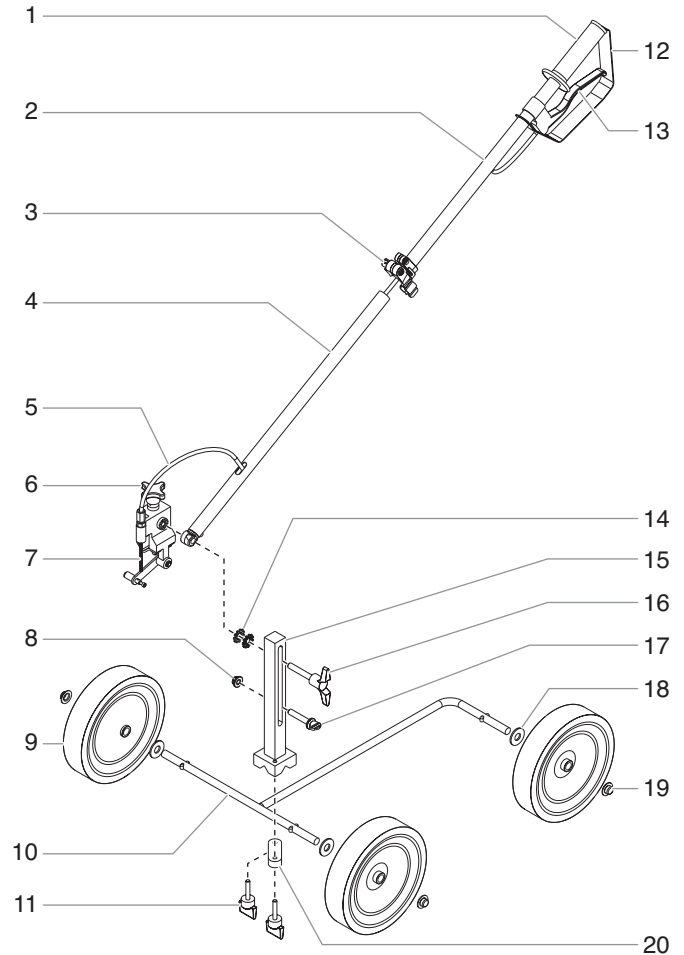
Le pulvérisateur, le tuyau et le pistolet doivent être soigneusement nettoyés tous les jours, après utilisation. Le non-respect de cette consigne de nettoyage peut entraîner une accumulation du produit pulvérisé et donc une diminution considérable des performances de l'outil.

⚠ AVERTISSEMENT

Pulvérisez toujours à la pression minimale lorsque la buse du pistolet est absente, lorsque vous utilisez des essences minérales ou d'autres solvants pour nettoyer le pulvérisateur, le tuyau ou le pistolet. L'accumulation d'électricité statique peut entraîner un incendie ou une explosion en présence de vapeurs inflammables.

1. Respectez la « Procédure de décharge de pression » indiquée dans le manuel d'utilisateur du pistolet pulvérisateur sans air.
2. Respectez la « Procédure de nettoyage » indiquée dans le manuel d'utilisateur du pistolet pulvérisateur sans air.
3. Essuyez toutes les surfaces du LinePainter.
4. Rangez le LinePainter dans un lieu sec et propre.

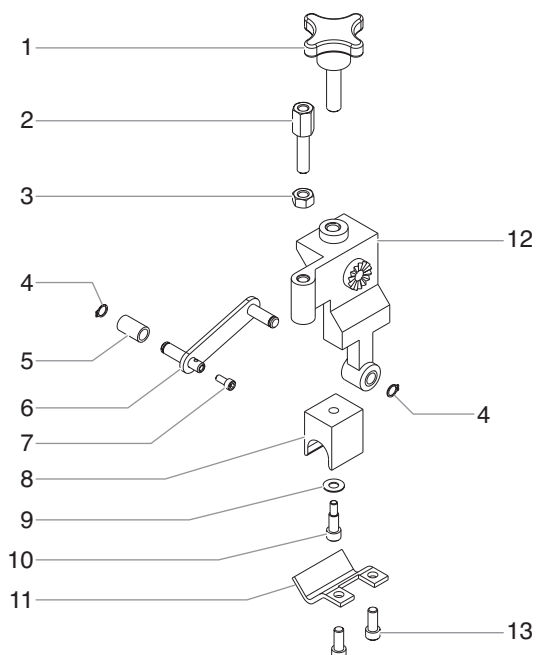
Liste de pièces Assemblage Principal



Élément	Pièce	Description	Quantité
1	0555301	Poignée.....	1
2	0555302	Montant du pistolet, partie supérieure ...	1
3	0555303	Bloc de montage du montant	1
4	0555304	Montant du pistolet, partie inférieure	1
5	0555305	Câble	1
6	0555101	Bloc de montage du pistolet.....	1
7	0555306	Ressort de rappel	1
8	0555316	Écrou de butée du pistolet.....	1
9	0270359	Roue	3
10	0555307	Essieu	1
11	0555308	Bouton de support	2
12	0555309	Protection de la gâchette.....	1
13	0555310	Détente	1
14	0555311	Rondelle de blocage en étoile	2
15	0555312	Montant de support du pistolet.....	1
16	0555313	Bouton du montant du pistolet.....	1
17	0555315	Écrou de butée du pistolet.....	1
18	9820208	Rondelle de roue	3
19	0275728	Capuchon de roue	3
20	0555314	Collier de support	1
	0555900	Graisse	1

NOTA: Le montant du pistolet et le bloc de montage du pistolet peuvent être utilisés comme un montant de rallonge du pistolet pulvérisateur. Commandez le bouton réf. P/N 0555329 et la rondelle P/N 0555330 pour remplacer les pièces 14 et 16 de la configuration du montant de rallonge.

Bloc de montage du pistolet (P/N 0555101)



<u>Élément</u>	<u>Pièce</u>	<u>Description</u>	<u>Quantité</u>
1	0555317	Bouton de blocage du pistolet	1
2	0555318	Vis de réglage de câble	1
3	0555319	Contre-écrou	1
4	0555320	Anneau élastique	2
5	0555321	Douille	1
6	0555322	Collier	1
7	0555323	Vis	1
8	0555324	Bloc de blocage	1
9	0555325	Rondelle	1
10	0555326	Vis	1
11	0555327	Support du pistolet	1
12	0555100	Montage du pistolet	1
13	0555328	Vis	2

Les fiches toxicologiques (MSDS) sont à votre disposition sur le site Web de Wagner ou par téléphone en contactant le Service technique.

Índice

Precauciones de seguridad	19
Descripción general	20
Montaje	20
Funcionamiento	21
Configuración	21
Pintar	22
Configuración de la LinePainter	22
Tabla de boquillas para pintar rayas	22
Limpieza	23
Lista de piezas	23
Conjunto principal	23
Conjunto de fijación de la pistola	24

Precauciones de seguridad

El presente manual contiene información que deberá leer y comprender bien antes de utilizar el equipo. Cuando llegue a una sección que tenga uno de los siguientes símbolos, preste especial atención y asegúrese de que se cumplen las medidas de seguridad.

ADVERTENCIA

Este símbolo indica un peligro potencial que puede provocar lesiones graves e incluso la muerte. A continuación se incluye información importante de seguridad.

PRECAUCION

Este símbolo indica un peligro potencial para usted o para el equipo. A continuación se incluye información importante para evitar daños al equipo o evitar situaciones que podrían provocar lesiones de segundo orden.

NOTA: Las notas añaden información importante a la que debe prestarse especial atención.

ADVERTENCIA

PELIGRO: Lesión causada por inyección. La corriente de líquido a alta presión que produce este equipo puede perforar la piel y tejidos interiores, pudiendo provocar graves lesiones e incluso hay posibilidad de amputación. Vea a un médico inmediatamente.

¡NO TRATE UNA LESIÓN CAUSADA POR INYECCIÓN COMO UN SIMPLE CORTE! La inyección puede provocar amputaciones. Vea a un médico inmediatamente.

PREVENCIÓN:

- NUNCA dirija la pistola a ninguna parte del cuerpo.
- NUNCA toque con ninguna parte del cuerpo la corriente de líquido. NO toque con ninguna parte del cuerpo ninguna fuga en la manguera de líquido.
- NUNCA ponga la mano delante de la pistola. Los guantes no serán protección suficiente contra una lesión por inyección.
- Ponga SIEMPRE el seguro del gatillo de la pistola, cierre la bomba y libere toda la presión antes de realizar labores de mantenimiento y reparación, limpiar la boquilla o el protector, cambiar la boquilla o dejar de usarla. La presión no se descargará apagando el motor. La manija de la válvula PRIME/SPRAY (CEBAR/PULVERIZAR) debe estar en PRIME para liberar la presión. Consulte el PROCEDIMIENTO para liberar la presión descrito en el manual de la bomba.
- Mantenga SIEMPRE el protector de la boquilla en su sitio mientras pulveriza. El protector de la boquilla ofrece cierta protección pero principalmente se trata de un dispositivo de advertencia.
- Desmunte SIEMPRE la boquilla pulverizadora antes de enjuagar o limpiar el sistema.
- En la manguera de pintura pueden aparecer fugas a causa del desgaste, de retorcimientos o de un mal uso. Una fuga puede proyectar material hacia la piel. Revise siempre la manguera antes de usarla.

- NUNCA use una pistola pulverizadora si el seguro del gatillo no funciona o si la protección del gatillo no está en su sitio.
- Todos los accesorios deben cumplir o superar las especificaciones nominales para la gama de presiones de funcionamiento del pulverizador. Esto incluye boquillas pulverizadoras, pistolas, extensiones y manguera.

NOTA PARA LOS MÉDICOS:

La inyección en la piel es una lesión traumática. Es importante tratar la lesión lo antes posible. NO demore el tratamiento por averiguar la toxicidad. La toxicidad supone una preocupación cuando se inyectan ciertas capas directamente en el flujo sanguíneo. Tal vez sea aconsejable consultar a un cirujano plástico o especialistas en reconstrucción de manos.

PELIGRO: EXPLOSIONES e INCENDIOS. Los humos de las pinturas y disolventes pueden explotar o inflamarse, pudiendo provocar lesiones graves y/o daños materiales.

PREVENCIÓN:

- Permita una zona de escape amplia y que entre aire fresco para que el aire dentro de la zona de pulverización no acumule vapores inflamables.
- Evite todas las fuentes de ignición, tales como chispas por electricidad estática, aparatos eléctricos, llamas, luces indicadoras, objetos calientes y chispas producidas al conectar y desconectar cables de alimentación o interruptores de luces en funcionamiento.
- No fume en la zona de pulverización.
- Debe haber algún extintor de incendios que esté en perfectas condiciones.
- Coloque el pulverizador al menos a 6,1 m (20 pies) del objeto que se va a pulverizar en una zona bien ventilada (añada más manguera si es necesario). Los vapores inflamables suelen ser más pesados que el aire. El área del suelo debe estar perfectamente ventilada. La bomba contiene piezas que forman arcos eléctricos y sueltan chispas, pudiendo inflamar los vapores.
- El equipo y los objetos alrededor y en la zona de pulverización deben estar puestos a tierra adecuadamente para evitar chispas estáticas.
- Use solamente una manguera conductora o a tierra para líquido a alta presión. La pistola debe estar puesta a tierra a través de las conexiones de la manguera.
- El cable de alimentación debe estar conectado a un circuito puesto a tierra.
- Enjuague siempre la unidad en un recipiente de metal aparte, a baja presión de la bomba y con la boquilla quitada. Sujete la pistola con firmeza contra el lateral del recipiente para poner a tierra dicho recipiente y evitar así chispas estáticas.
- Siga las instrucciones y advertencias del fabricante del material y del disolvente.
- Tenga muchísimo cuidado cuando utilice materiales con un punto de ignición por debajo de 21 °C (70 °F). El punto de ignición es la temperatura a la que un fluido puede producir vapores suficientes como para que se inflamen.
- El plástico puede producir chispas estáticas. No utilice nunca plásticos para cerrar la zona de pulverización. No emplee tela protectora de plástico cuando pulverice sobre materiales inflamables.
- Use la mínima presión posible cuando enjuague el equipo.

MOTOR DE GASOLINA (CUANDO SEA PERTINENTE)

Coloque siempre el pulverizador fuera de la estructura en un lugar con aire puro. Mantenga todos los disolventes alejados del escape del motor. Nunca llene el depósito de combustible estando el motor en marcha o caliente. Las superficies calientes pueden inflamar el combustible derramado. Conecte siempre un hilo a masa entre la bomba y un objeto a tierra. Si desea ver toda la información sobre seguridad, consulte el manual de usuario del motor.

PELIGRO: EL PELIGRO DE EXPLOSIONES A CAUSA DE MATERIALES INCOMPATIBLES puede provocar lesiones graves o daños materiales.

PREVENCIÓN:

- No use materiales que contengan lejía o cloro.
- No use disolventes de hidrocarburo halogenado, como, por ejemplo, lejía, fungicida, cloruro de metileno y 1,1,1-tricloroetano. No son compatibles con el aluminio.
- Contacte con su proveedor para conocer la compatibilidad del material con el aluminio.

PELIGRO: VAPORES PELIGROSOS. Las pinturas, disolventes, insecticidas y otros materiales pueden ser perjudiciales si se inhalan o entran en contacto con el cuerpo. Los vapores pueden provocar náuseas intensas, desmayos o envenenamiento.

PREVENCIÓN:

- Use una careta o mascarilla en caso de que puedan inhalarse vapores. Lea todas las instrucciones facilitadas con la mascarilla para asegurarse de que proporciona toda la protección necesaria.
- Lleve gafas protectoras.
- Lleve las ropas de protección exigidas por el fabricante del material.

PELIGRO: GENERAL. Pueden producirse lesiones graves o daños materiales.

PREVENCIÓN:

- Lea todas las instrucciones y precauciones de seguridad antes de utilizar el equipo.
- Cumpla todos los reglamentos locales, estatales y nacionales pertinentes relativos a ventilación, prevención de incendios y funcionamiento.
- Emplee solamente piezas autorizadas por el fabricante. El usuario asumirá todos los riesgos y toda la responsabilidad cuando utilice piezas que no cumplan con las especificaciones mínimas y dispositivos de seguridad del fabricante de la bomba.
- Cada vez que vaya a utilizar el equipo, compruebe antes todas las mangueras en busca de cortes, fugas, abrasión o bultos en la cubierta. Compruebe el movimiento de los acoplamientos y si están dañados. Sustituya inmediatamente una manguera si descubre alguna de estas anomalías. No repare nunca una manguera de pintar. Sustitúyala por una manguera a alta presión puesta a tierra.
- Todas las mangueras, piezas giratorias, pistolas y accesorios deben tener una presión nominal igual o superior a la gama máxima de presiones de funcionamiento del pulverizador.
- No pulverice al aire libre si hace viento.
- Vístase de forma que no le caiga pintura en la piel ni el pelo.
- Desenchufe siempre el cable de la toma de corriente antes de trabajar en el equipo (sólo aparatos eléctricos).

Descripción general

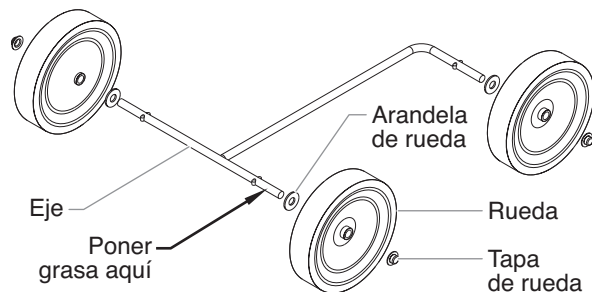
LinePainter es una herramienta portátil de señalización para pintar rayas en zonas de aparcamiento, pistas atléticas, bordillos, etc. LinePainter puede usarse con la mayoría de pulverizadores a alta presión. Lea y siga las instrucciones del presente manual detenidamente para conocer la información sobre seguridad, configuración e instrucciones de funcionamiento.



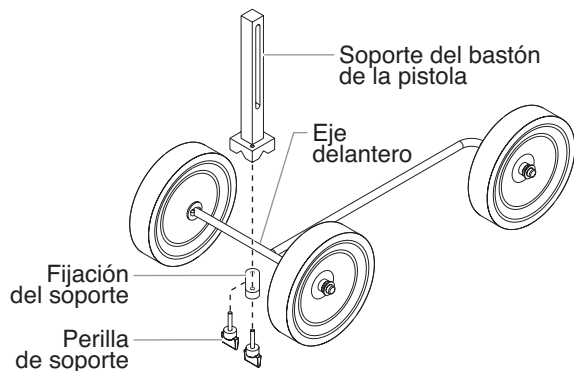
Montaje

Antes de utilizar por primera vez LinePainter, se requiere cierto montaje. Para el primer montaje hace falta un martillo. Por lo demás, LinePainter está diseñada para montarse y desmontarse fácilmente con perillas que se aprietan con la mano.

1. Desembale el contenido de la caja.
2. Localice el eje, las tres ruedas, las tres arandelas de ruedas, las tres tapas de ruedas y el paquete con grasa.
3. En la posición de cada rueda sobre el eje:
 - a. Ponga una pequeña cantidad de grasa en el eje.
 - b. Coloque una arandela de rueda en el eje.
 - c. Coloque la rueda sobre el eje. Asegúrese de que en el eje vaya primero el lado de la rueda con el manguito extendido.
 - d. Con un martillo, golpee la tapa de la rueda en el extremo del eje para sujetar la rueda.

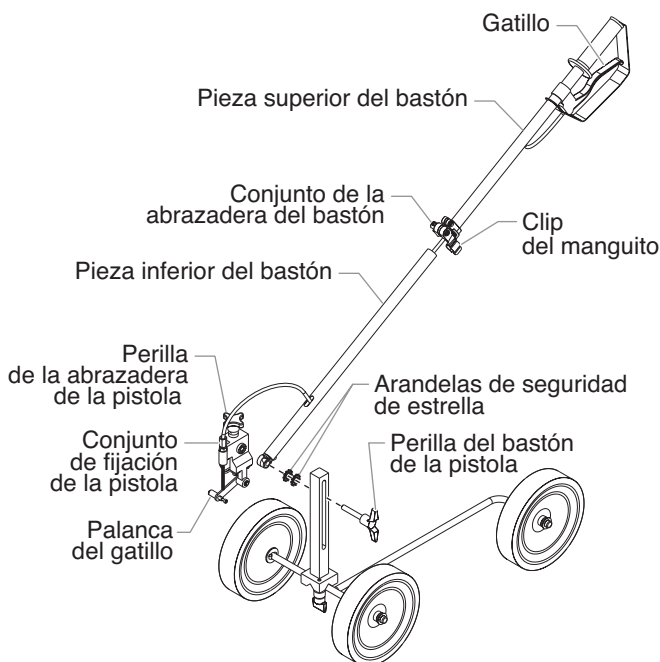


4. Localice el soporte del bastón de la pistola, la fijación del soporte y las dos perillas de soporte.
5. Enrosque una de las dos perillas de soporte en la fijación del soporte y métala dentro de uno de los orificios que hay en la parte inferior del soporte del bastón. No apriete la perilla de soporte. Deje espacio suficiente entre la fijación del soporte y el soporte del bastón de la pistola para que pase el eje.
6. Ajuste el soporte del bastón de la pistola en el eje delantero. Asegúrese de que dicho soporte descansa sobre el eje con la fijación por debajo del eje.
7. Alinee la fijación del soporte con el otro orificio que hay en el soporte del bastón de la pistola. Enrosque la otra perilla de soporte a través de la fijación e introdúzcala dentro del orificio del soporte del bastón.
8. Apriete las dos perillas de soporte hasta que queden sujetas con el soporte del bastón de la pistola recto hacia arriba.

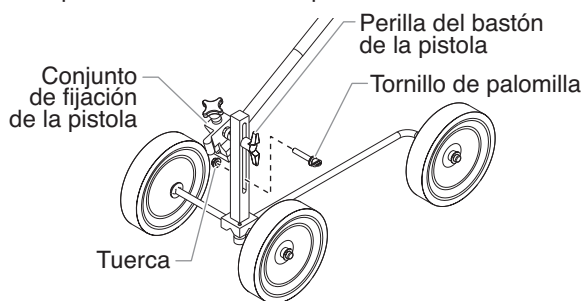


9. Localice el bastón de la pistola. Se suministra en dos piezas que se conectan mediante el cable de la pistola que pasa por el centro de las piezas del bastón.
10. Introduzca la pieza inferior del bastón de la pistola en el conjunto de la abrazadera de la pieza superior del bastón.
11. Alinee las piezas de modo que el gatillo en la pieza superior del bastón mire hacia abajo y el cable de la pistola que sale de la pieza inferior del bastón lo haga por la parte superior del mismo.
12. Apriete el conjunto de la abrazadera del bastón.
13. Localice la perilla del bastón de la pistola y las dos arandelas de seguridad de estrella.
14. Alinee el conjunto de fijación de la pistola en la parte inferior del bastón con la ranura larga que hay en el soporte del bastón.
15. Introduzca la perilla del bastón desde el lado contrario al soporte del mismo, pasando por las arandelas de seguridad de estrella, hasta el conjunto de fijación de la pistola que hay en el bastón. Apriete con firmeza.
16. Instale la pistola a alta presión en el conjunto de fijación de la pistola.
 - a. Monte la empuñadura de la pistola en el conjunto de fijación de la pistola.
 - b. Coloque la pistola de modo que el gatillo descance sobre su palanca.
 - c. Apriete firmemente la perilla de la abrazadera de la pistola para sujetar la pistola en su sitio.

NOTA: Dependiendo de la pistola a alta presión que se utilice, tal vez haya que ajustar el conjunto de fijación de la pistola. Use una llave hexagonal de 9/64" para realizar dicho ajuste.



17. Monte y coloque el tope de la pistola.
 - a. Coloque la pistola a la altura máxima deseada sobre el soporte de su bastón. Apriete la perilla del bastón para sujetar la pistola en su sitio.
 - b. Introduzca el tornillo de palomilla del tope de la pistola por la ranura del soporte del bastón de modo que dicho tornillo quede debajo del conjunto de fijación de la pistola.
 - c. Deslice el tornillo de palomilla hacia arriba en la ranura hasta que haga contacto con la parte inferior del conjunto de fijación de la pistola.
 - d. Enrosque la tuerca en el tornillo de palomilla del tope de la pistola y apriétela con firmeza.
 - e. Afloje la perilla del bastón de la pistola.
 - f. Ajuste la empuñadura de modo que la pistola quede en la posición de funcionamiento/ángulo deseado. Apriete la perilla del bastón de la pistola con firmeza.



Funcionamiento

⚠ ADVERTENCIA

Este equipo produce una corriente a una presión muy alta. Antes de utilizar este equipo, deberá leer y comprender las advertencias del apartado Precauciones de seguridad, al principio del presente manual, así como los manuales de la pistola pulverizadora y del pulverizador a alta presión.

Configuración

Ejecute el siguiente procedimiento para preparar la LinePainter.

⚠ ADVERTENCIA

Asegúrese de que todas las mangueras y pistolas pulverizadoras a alta presión estén puestas a tierra y que sus especificaciones nominales sean iguales o superiores a la gama de funcionamiento máxima del pulverizador.

1. Siga el procedimiento de configuración y las precauciones de seguridad descritas en el manual de usuario del pulverizador a alta presión.
2. Siga el procedimiento de configuración y las precauciones de seguridad descritas en el manual de usuario de la pistola pulverizadora.

⚠ PRECAUCIÓN

Tenga siempre puesto el seguro de la pistola pulverizadora mientras prepara el sistema.

3. Con ayuda de una llave, conecte al pulverizador una manguera de nylon para pulverización a alta presión de 50' de 1/4". Apriete firmemente.
4. Conecte el extremo contrario de la manguera a la pistola a alta presión en el conjunto de fijación de la LinePainter. Use dos llaves (una para la pistola y la otra para la manguera) y apriete firmemente.
5. Sujete la manguera a alta presión en el clip de la manguera del bastón de la pistola.
6. Prepare la LinePainter para el tipo de rayas que se vayan a pintar (línea recta, curva, bordillo, etc.). Consulte el apartado "Configuración de LinePainter" del presente manual si desea otra configuración.

ADVERTENCIA

Asegúrese de que el pulverizador a alta presión esté apagado, el seguro del gatillo esté puesto y de que se haya liberado toda la presión del sistema antes de cambiar la configuración de la LinePainter.

Pintar

1. Coloque el pulverizador a alta presión de modo que quede cerca de la ruta de señalización, pero que no estorbe durante su aplicación.
2. Enrolle la manguera para que se desenrolle sin engancharse consigo misma o con cualquier otro objeto durante su utilización.
3. Ponga en marcha el pulverizador a alta presión. Siga el procedimiento de puesta en marcha y las precauciones de seguridad descritas en el manual de usuario del pulverizador a alta presión.

ADVERTENCIA

POSIBILIDAD DE PELIGRO POR INYECCIÓN. No pulverice si el protector de la boquilla no está en su sitio. No apriete nunca el gatillo de la pistola a menos que la boquilla esté destapada o en posición de pulverización. Ponga siempre el seguro del gatillo antes de desmontar, sustituir o limpiar la boquilla.

4. Coloque la LinePainter ligeramente delante de la ruta de señalización.
5. Empiece a andar con la LinePainter y apriete el gatillo de la pistola al principio de la ruta.
6. Al final de la ruta, suelte el gatillo y siga caminando un poco más, si es posible.

NOTA: Si se aprieta el gatillo una vez que la LinePainter está en movimiento y se suelta antes de detenerse, la raya pintada será uniforme desde el principio hasta el final. Si la ruta de señalización termina en un obstáculo, suelte el gatillo justo en el momento en que deje de mover la LinePainter.

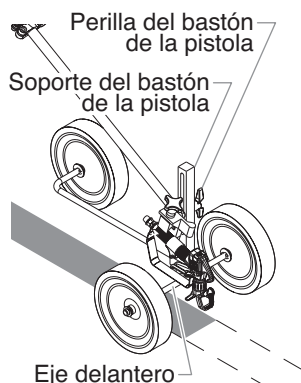
Configuración de la LinePainter

La LinePainter puede configurarse para distintas aplicaciones de señalización. Consulte los siguientes apartados para conocer las configuraciones más comunes.

Señalización con rayas rectas

La señalización con rayas rectas es el tipo de aplicación más habitual. El apartado "Montaje" del presente manual contiene directrices para montar la LinePainter para que pinte rayas

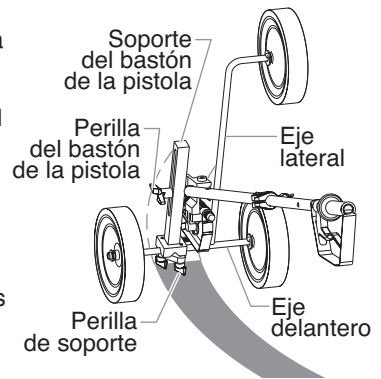
1. Monte en el eje delantero el soporte del bastón de la pistola.
2. Afloje la perilla del bastón para regular el ángulo y la altura de la pistola para el tamaño de raya deseado. Apriete la perilla del bastón de la pistola.



Señalización con rayas curvas

La LinePainter puede configurarse para pintar una línea curva.

1. Monte en el eje delantero el soporte del bastón de la pistola.
2. Afloje las perillas del soporte del bastón de la pistola.
3. Gire la rueda trasera hacia arriba de modo que sólo las dos ruedas delanteras toquen el suelo. El eje lateral y la rueda trasera deben quedar verticales por encima del eje delantero y las ruedas delanteras.
4. Apriete firmemente las dos perillas del soporte del bastón de la pistola.
5. Afloje la perilla del bastón de la pistola para regular el ángulo y la altura de la pistola para el tamaño de raya deseado. Apriete firmemente la perilla del bastón de la pistola.



NOTA: Al configurar la LinePainter para que pinte rayas curvas, es muy importante apretar con firmeza la perilla del bastón de la pistola. Si la perilla no está lo suficientemente apretada, el eje lateral y la rueda trasera se soltarán y tocarán el suelo.

Pintar un bordillo

La LinePainter puede configurarse para pintar un bordillo.

1. Monte el soporte del bastón de la pistola en el eje lateral con la misma separación entre las dos ruedas. Asegúrese de que la pistola pulverizadora apunta hacia la parte exterior del conjunto del eje.
2. Afloje la perilla del bastón para regular el ángulo y la altura de la pistola. Apunte con la pistola hacia el recodo del bordillo para pulverizar la pintura uniformemente sobre la parte horizontal y vertical del bordillo. Apriete la perilla del bastón de la pistola.

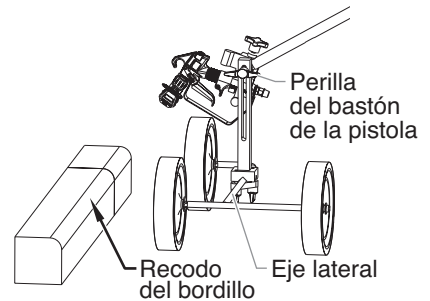


Tabla de boquillas para pintar rayas

Nº de pieza de boquilla	Anchura de raya	Tamaño del orificio	Uso habitual
0561504	2"-3" (51-76 mm)	.015" (.38 mm)	Pistas de atletismo y plantillas — Película ligera
0561508	4"-8" (102-203 mm)	.015" (.38 mm)	Pistas de atletismo y plantillas — Película ligera
0561704	2"-3" (51-76 mm)	.017" (.43 mm)	Mayoría de pinturas para señalización vial — Película media
0561708	4"-8" (102-203 mm)	.017" (.43 mm)	Mayoría de pinturas para señalización vial — Película ligera
0561904	2"-3" (51-76 mm)	.019" (.48 mm)	Mayoría de pinturas para señalización vial — Película fuerte
0561908	4"-8" (102-203 mm)	.019" (.48 mm)	Mayoría de pinturas para señalización vial — Película media
0562108	4"-8" (102-203 mm)	.021" (.53 mm)	Mayoría de pinturas para señalización vial — Película fuerte
0562112	6"-12" (152-305 mm)	.021" (.53 mm)	Mayoría de pinturas para señalización vial — Película ligera
0562308	4"-8" (102-203 mm)	.023" (.58 mm)	Mayoría de pinturas para señalización vial — Película fuerte
0562328	6"-12" (152-305 mm)	.023" (.58 mm)	Mayoría de pinturas para señalización vial — Película media

Limpeza

⚠ ADVERTENCIA

Instrucciones especiales de limpieza a seguir con disolventes inflamables:

- Enjuague siempre la pistola pulverizadora preferiblemente fuera y, al menos, a la distancia de una manguera respecto a la bomba de pulverización.
- Si recoge disolventes ya usados en un recipiente de metal de unos 4 litros (aprox. 1 galón), colóquelo en un recipiente vacío de 20 litros (aprox. 5 galones), a continuación enjuague con disolventes.
- En la zona no debe haber vapores inflamables.
- Siga todas las instrucciones de limpieza.

⚠ PRECAUCIÓN

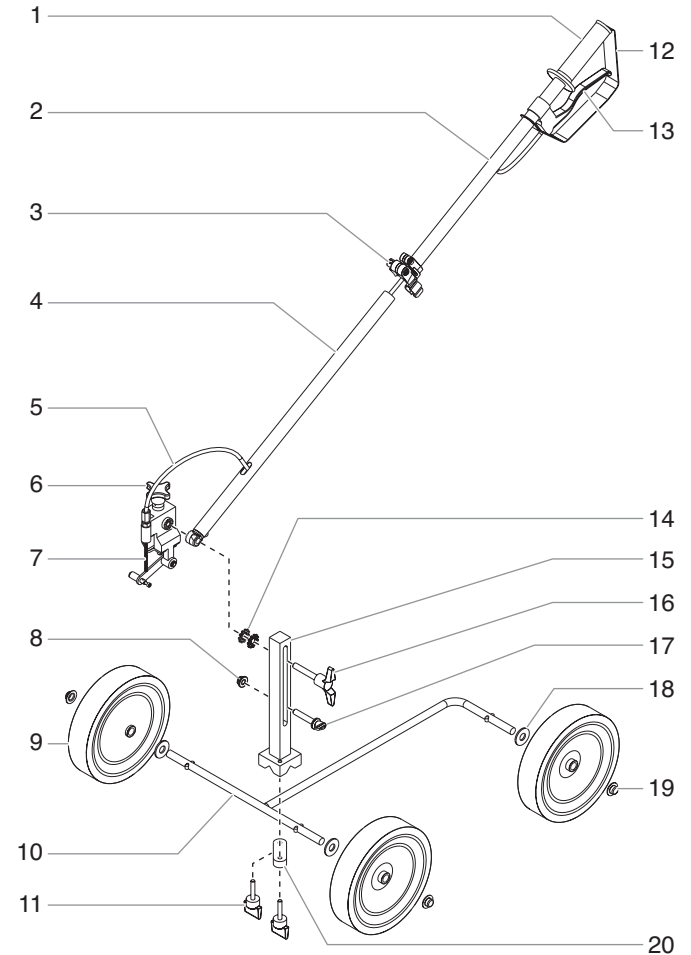
El pulverizador, la manguera y la pistola deben limpiarse a fondo cada día después de haberse utilizado, de lo contrario pueden acumularse materiales, lo cual afectará al rendimiento del aparato.

⚠ ADVERTENCIA

Pulverice siempre a una presión mínima con la punta de la boquilla de la pistola quitada cuando utilice alcoholes minerales o cualquier otro disolvente para limpiar el pulverizador, la manguera o la pistola. La acumulación de electricidad estática puede provocar incendios o explosiones si hay vapores inflamables.

1. Siga el "Procedimiento para liberar presión" descrito en el manual de usuario del pulverizador a alta presión.
2. Siga el procedimiento de "Limpieza" descrito en los manuales de usuario del pulverizador a alta presión y de la pistola pulverizadora.
3. Limpie todas las superficies de la LinePainter.
4. Guarde la LinePainter en una zona seca y limpia.

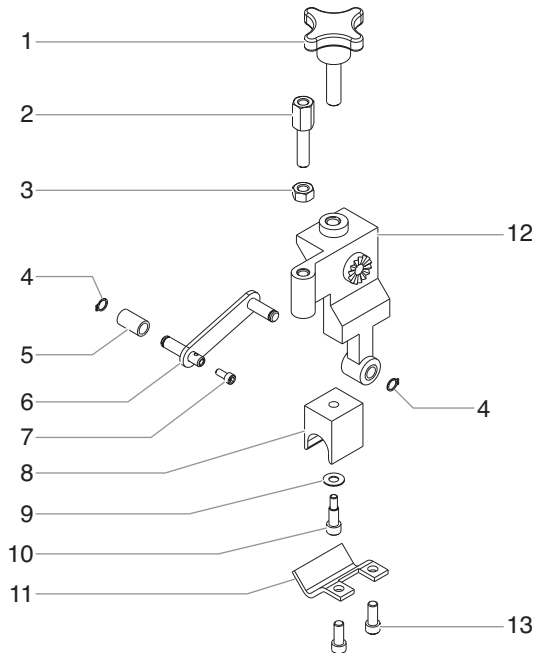
Lista de piezas Conjunto principal



Artículo	Pieza	Descripción	Cantidad
1	0555301	Puño	1
2	0555302	Bastón de la pistola, parte superior	1
3	0555303	Conjunto de la abrazadera del bastón	1
4	0555304	Bastón de la pistola, parte inferior	1
5	0555305	Cable	1
6	0555101	Conjunto de fijación de la pistola	1
7	0555306	Muelle de retorno	1
8	0555316	Tuerca del tope de la pistola	1
9	0270359	Rueda	3
10	0555307	Eje	1
11	0555308	Perilla de soporte	2
12	0555309	Protección del gatillo	1
13	0555310	Gatillo	1
14	0555311	Arandela de seguridad de estrella	2
15	0555312	Soporte del bastón de la pistola	1
16	0555313	Perilla del bastón de la pistola	1
17	0555315	Tornillo de palomilla del tope de la pistola	1
18	9820208	Arandela de rueda	3
19	0275728	Tapa de rueda	3
20	0555314	Fijación del soporte	1
	0555900	Grasa	1

NOTA: El bastón y el conjunto de fijación de la pistola pueden usarse como bastón de prolongación de la pistola pulverizadora. Pida la perilla P/N 0555329 y la arandela P/N 0555330 para sustituir los artículos 14 y 16 si quiere la configuración con el bastón de prolongación.

Conjunto de fijación de la pistola (P/N 0555101)



Artículo	Pieza	Descripción	Cantidad
1	0555317	Gun clamp knob	1
2	0555318	Cable adjustment screw	1
3	0555319	Jam nut	1
4	0555320	Snap ring	2
5	0555321	Bushing	1
6	0555322	Bracket	1
7	0555323	Screw	1
8	0555324	Clamp block	1
9	0555325	Washer	1
10	0555326	Screw	1
11	0555327	Gun support	1
12	0555100	Gun mount	1
13	0555328	Screw	2

Podrá acceder a las Hojas de datos de seguridad de materiales (MSDS) en el sitio Web de Wagner, también puede conseguir las llamando al Servicio Técnico.

Indice

Avvertenze per la sicurezza	25
Descrizione generale	26
Assemblaggio	26
Funzionamento	27
Preparazione	27
Verniciatura	28
Configuring the LinePainter	28
Tabella suggerimenti per la verniciatura di righe	28
Pulizia	29
Elenco componenti	29
Assemblaggio principale	29
Blocco pistola	30

Avvertenze per la sicurezza

Il presente manuale contiene informazioni che devono essere lette e capite prima di utilizzare l'apparecchio. Ogni volta che si trova uno dei seguenti simboli si prega di prestare molta attenzione e di rispettare le norme di sicurezza.



Questo simbolo indica un potenziale rischio di lesioni gravi o morte. Seguono importanti avvertenze per la sicurezza.



Questo simbolo indica un potenziale rischio per sé stessi o per l'apparecchio. Seguono importanti avvertenze per la sicurezza per evitare danni all'apparecchio e prevenire le cause di lesioni minori.

NOTA: Le note contengono informazioni importanti, si raccomanda di prestare particolare attenzione.



PERICOLO: Lesione da iniezione: il flusso liquido ad alta pressione prodotto dall'apparecchio può lacerare la pelle ed i tessuti sottostanti, provocando una lesione grave o perfino l'amputazione. Consultare immediatamente il medico.

NON TRATTARE UNA LESIONE DA INIEZIONE COME UN SEMPLICE TAGLIO! L'iniezione può provocare l'amputazione. Consultare immediatamente il medico.

PREVENZIONE:

- MAI puntare la pistola contro nessuna parte del corpo.
- MAI toccare il flusso di liquido con nessuna parte del corpo. NON toccare una perdita del tubo di gomma.
- MAI mettere le mani davanti alla pistola. I guanti non offrono alcuna protezione contro una lesione da iniezione.
- Mettere SEMPRE la sicura al grilletto della pistola, chiudere la pompa e rilasciare tutta la pressione prima della manutenzione, della pulizia della punta o del dispositivo di sicurezza, prima di cambiare la punta o di lasciare l'apparecchio incustodito. La pressione non viene rilasciata spegnendo il motore. La manopola della valvola PRIME/SPRAY (SPRUZZA/SPRAY) deve essere posizionata su PRIME (SPRUZZA) per rilasciare la pressione. Fare riferimento alla PROCEDURA di rilascio della pressione descritta nel manuale della pompa.
- Tenere SEMPRE il dispositivo di sicurezza in posizione mentre si spruzza. Il dispositivo di sicurezza della punta offre una certa protezione, ma si tratta per la maggior parte di un dispositivo di avvertimento.
- Togliere SEMPRE la punta dello spray prima di lavare o pulire l'apparecchio.
- Il tubo per la verniciatura può avere delle perdite a causa dell'usura, di un nodo o dell'abuso. Una perdita può iniettare del materiale nella pelle. Controllare il tubo prima di ciascun utilizzo.

- MAI usare una pistola per spruzzare se la sicura del grilletto non funziona ed il dispositivo di sicurezza non è posizionato correttamente.
- Tutti gli accessori devono essere regolati secondo il livello massimo di pressione dello spruzzatore oppure al di sopra, inclusi le punte, le pistole, le prolunghe e il tubo.

NOTA PER IL MEDICO:

Un'iniezione sottopelle rappresenta una lesione traumatica. E' importante curare la lesione appena possibile. NON perdere tempo e intervenire subito secondo l'eventuale tossicità. Alcune vernici, se iniettate direttamente nel flusso di sangue, possono rivelarsi tossiche. Si consiglia di consultare un chirurgo plastico o specializzato nella ricostruzione della mano.

PERICOLO: ESPLOSIONE e INCENDIO. Le esalazioni del solvente e della vernice possono esplodere o prendere fuoco, provocando lesioni gravi o danni alle cose.

PREVENZIONE:

- Assicurarci che ci siano scarichi e aria fresca in abbondanza per evitare l'accumulo di esalazioni infiammabili nell'aria dell'area di spruzzo.
- Evitare il contatto con fonti infiammabili come scintille di elettricità statica, apparecchi elettrici, fiamme, fiamme pilota, oggetti roventi e scintille provocate dalla connessione e disconnessione di fili elettrici o dagli interruttori accesi.
- Non fumare nell'area di spruzzo.
- L'estintore deve essere a disposizione e ben funzionante.
- Posizionare lo spruzzatore ad almeno 6,1 metri dall'oggetto da verniciare in una zona ben areata (aggiungere più tubo se necessario). Le esalazioni infiammabili spesso sono più pesanti dell'aria. L'area del terreno deve essere molto ben areata. La pompa contiene parti ad arco elettrico che provocano scintille e possono infiammare le esalazioni.
- L'apparecchio e gli oggetti dentro e intorno all'area di spruzzo devono essere messi a terra nel modo corretto per evitare scintille statiche.
- Usare soltanto tubi per liquidi ad alta pressione conduttivi o messi a terra. La pistola deve essere messa a terra attraverso collegamenti con il tubo.
- Il filo elettrico deve essere collegato ad un circuito messo a terra.
- Lavare sempre l'unità in un apposito contenitore di metallo, a bassa pressione, togliendo la punta dello spruzzatore. Tenere ben ferma la pistola contro il lato del contenitore per metterlo a terra e per prevenire scintille statiche.
- Seguire le avvertenze e le istruzioni del costruttore per il materiale e il solvente.
- Usare estrema cautela quando si usano materiali con un punto d'infiammabilità inferiore a 70° F (21° C). Il punto d'infiammabilità è la temperatura a cui un fluido è in grado di produrre sufficienti esalazioni per prendere fuoco.
- La plastica può provocare scintille statiche. Non usare mai della plastica per delimitare l'area di spruzzo. Non usare indumenti impermeabili di plastica quando si spruzzano materiali infiammabili.
- Usare la pressione più bassa possibile per lavare l'apparecchio.

MOTORE A BENZINA (OVE DISPONIBILE)

Posizionare sempre lo spruzzatore all'esterno della struttura all'aria aperta. Tenere lontani tutti i solventi dallo scarico del motore. Non riempire mai il serbatoio della benzina con il motore acceso o caldo. Le superfici roventi possono infiammare la benzina versata. Collegare sempre il cavo messo a terra dalla pompa ad un oggetto messo a terra. Fare riferimento al manuale dell'utente del motore per tutte le avvertenze per la sicurezza.

PERICOLO: PERICOLO DI ESPLOSIONE DOVUTO A MATERIALI INCOMPATIBILI. Può provocare lesioni gravi o danni alle cose.

PREVENZIONE:

- Non usare materiali contenenti candeggina o cloro.
- Non usare solventi contenenti idrocarburi alogenati come candeggina, antimuffa, cloruro di metilene, e 1,1,1 (tricloroetano). Tali sostanze non sono compatibili con l'alluminio.
- Consultare il fornitore della vernice per verificare la compatibilità del materiale con l'alluminio.

PERICOLO: ESALAZIONI PERICOLOSE. Vernici, solventi, insetticidi ed altri materiali possono essere dannosi se inalati o toccati. Le esalazioni possono provocare nausea, svenimenti o avvelenamento.

PREVENZIONE:

- Usare una mascherina se esiste il rischio che le esalazioni vengano inalate. Leggere tutte le istruzioni fornite con la mascherina per assicurarsi che essa sia in grado di offrire la protezione necessaria.
- Indossare occhiali protettivi.
- Indossare indumenti protettivi secondo le indicazioni del fabbricante della vernice.

PERICOLO: GENERALE. Può provocare lesioni gravi o danni alle cose.

PREVENZIONE:

- Leggere tutte le istruzioni e le avvertenze di sicurezza prima di utilizzare l'apparecchio.
- Seguire tutte le normative corrette locali, statali e nazionali relative all'areazione, alla prevenzione degli incendi ed al funzionamento.
- Usare soltanto i componenti approvati dal fabbricante. L'utente si assume tutti i rischi e le responsabilità nel caso si scelga di utilizzare pezzi che non soddisfano i requisiti minimi ed i dispositivi di sicurezza del fabbricante della pompa.
- Prima dell'uso controllare tutti i tubi per verificare la presenza di tagli, perdite, abrasioni o rigonfiamenti del rivestimento. Verificare che gli accoppiamenti non siano danneggiati o che si muovano. Sostituire immediatamente il tubo se si verifica una delle condizioni appena descritte. Non riparare mai un tubo per verniciare. Sostituire con un tubo ad alta pressione messo a terra.
- Tutti i tubi, le parti girevoli, le pistole e gli accessori devono essere regolati secondo la pressione al livello massimo dello spruzzatore oppure al di sopra.
- Non spruzzare all'esterno in giorni ventosi.
- Indossare indumenti per proteggere la pelle ed i capelli dalla vernice.
- Togliere sempre il filo elettrico dalla spina prima di lavorare sull'apparecchio (solo per le unità elettriche).

Descrizione generale

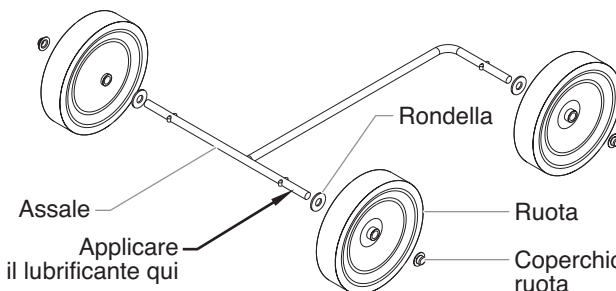
LinePainter è uno strumento portatile per la verniciatura di righe usato ad esempio per le righe di divisione dei parcheggi, le righe dei campi di atletica, i bordi dei marciapiedi, ecc... LinePainter può essere utilizzato con la maggior parte degli spruzzatori senza aria. Leggere e seguire attentamente il presente manuale di istruzioni per una preparazione corretta, per istruzioni per il funzionamento e per informazioni sulla sicurezza corrette.



Assemblaggio

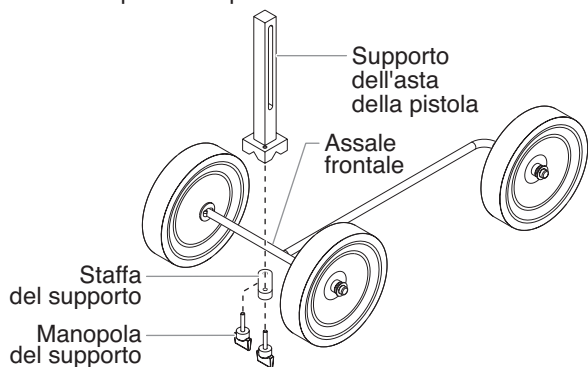
LinePainter richiede l'assemblaggio di alcuni pezzi prima dell'uso. E' necessario avere un martello per il primo assemblaggio. Altrimenti, LinePainter è progettato per essere montato e smontato con facilità stringendo a mano le manopole.

1. Togliere dall'imballaggio il contenuto della scatola.
2. Prendere l'assale, le tre ruote, tre rondelle per le ruote, tre coperchi per le ruote e il pacchetto con il lubrificante.
3. Quando si posiziona ciascuna ruota sull'assale:
 - a. Spremere una piccola quantità di grasso sull'assale.
 - b. Far scorrere una rondella sull'assale.
 - c. Far scorrere una ruota sull'assale. Assicurarsi che il lato della ruota con il mozzo allungato venga inserito per primo sull'assale.
 - d. Usando un martello, infilare un coperchio su un'estremità dell'assale per assicurare la ruota.



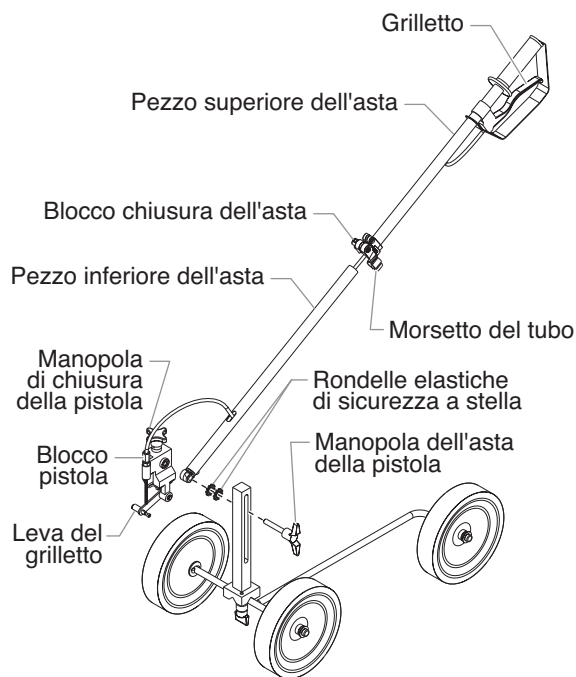
4. Prendere il supporto per l'asta della pistola, la staffa e due manopole per il supporto.
5. Infilare una della manopole del supporto attraverso la staffa del supporto e in uno dei fori alla base del supporto dell'asta della pistola. Non stringere la manopola del supporto. Lasciare sufficiente spazio tra la staffa del supporto ed il supporto dell'asta della pistola per far passare l'assale.
6. Posizionare il supporto dell'asta della pistola sull'assale frontale. Assicurarsi che il supporto dell'asta della pistola sia appoggiato sull'assale con la staffa del supporto sotto l'assale.
7. Allineare la staffa del supporto con il foro rimanente sul supporto dell'asta della pistola. Infilare la manopola del supporto restante sulla staffa del supporto e nel foro nel supporto dell'asta della pistola.

8. Stringere entrambe le manopole del supporto finché non sono ben fissate ed il supporto dell'asta della pistola non si trova in posizione perfettamente verticale.

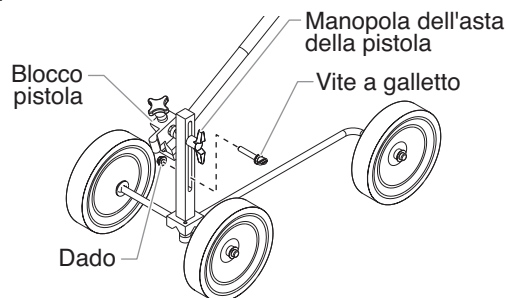


9. Prendere l'asta della pistola. Viene fornita in due pezzi collegati dal cavo della pistola che passa attraverso il centro dei pezzi dell'asta.
10. Inserire la base dell'asta della pistola nel blocco chiusura dell'asta sul pezzo superiore dell'asta della pistola.
11. Allineare i pezzi in modo che il grilletto sul pezzo superiore dell'asta della pistola sia rivolto verso il basso ed il cavo della pistola che parte dalla base dell'asta della pistola esca sulla parte superiore dell'asta.
12. Stringere il blocco chiusura dell'asta.
13. Prendere la manopola dell'asta della pistola e due rondelle elastiche di sicurezza a stella.
14. Allineare il blocco pistola sulla base dell'asta con la scanalatura lunga sul supporto dell'asta.
15. Inserire la manopola dell'asta della pistola dal lato opposto del supporto dell'asta, attraverso le rondelle di sicurezza a stella e nel blocco pistola sull'asta della stessa. Stringere bene.
16. Installare una pistola per spruzzare senza aria nel blocco pistola.
- Posizionare la manopola della pistola nel blocco pistola.
 - Posizionare la pistola in modo che il grilletto sia appoggiato sulla relativa leva.
 - Stringere bene la manopola della chiusura della pistola per mantenere la pistola in posizione.

NOTA: Può essere necessario regolare il blocco pistola su cui viene usata la pistola senza aria. Regolare usando una chiave esagonale da 9/64".



17. Installare e posizionare il fermo della pistola.
- Posizionare la pistola all'altezza minima desiderata sul supporto dell'asta della pistola. Stringere bene la manopola dell'asta della pistola per mantenere la pistola in posizione.
 - Inserire la vite a galletto del fermo della pistola attraverso la scanalatura sul supporto dell'asta della pistola in modo che si trovi al di sotto del blocco pistola.
 - Far scorrere la vite a galletto del fermo della pistola verso l'alto nella scanalatura finché non raggiunge la base del blocco pistola.
 - Infilare il dado del fermo della pistola sulla vite e stringere bene.
 - Allentare la manopola dell'asta della pistola.
 - Regolare la manopola in modo che la pistola si trovi nella posizione di operazione secondo l'angolazione desiderata. Stringere bene la manopola dell'asta della pistola.



Funzionamento

⚠ ATTENZIONE

Questo apparecchio produce un flusso liquido ad una pressione molto alta. Leggere e capire le avvertenze contenute nella sezione Avvertenze per la sicurezza nella prima parte di questo manuale ed i manuali dello spruzzatore senza aria e della pistola per la verniciatura a spruzzo prima di utilizzare l'apparecchio.

Preparazione

Eseguire il seguente procedimento per preparare LinePainter per l'utilizzo.

⚠ ATTENZIONE

Assicurarsi che tutti i tubi senza aria e le pistole siano messi a terra per quanto riguarda la parte elettrica, e regolati secondo il livello massimo dello spruzzatore o al sopra.

- Seguire il procedimento di preparazione e le avvertenze di sicurezza illustrati nel manuale dell'utente dello spruzzatore senza aria.
- Seguire il procedimento di preparazione e le avvertenze di sicurezza illustrati nel manuale dell'utente della pistola senza aria.

⚠ AVVERTENZA

Tenere sempre la sicura della pistola inserita durante la preparazione del sistema.

- Con una chiave, collegare un tubo per spruzzare senza aria di 50' di 1/4" nylon allo spruzzatore. Stringere bene.
- Collegare l'altra estremità del tubo alla pistola senza aria nel blocco pistola su LinePainter. Con due chiavi (una sulla pistola ed una sul tubo), stringere bene.
- Agganciare il tubo senza aria al morsetto del tubo sull'asta della pistola.
- Configurare LinePainter per il tipo di righe da eseguire (riga diritta, curva, bordi dei marciapiedi, ecc...). Fare riferimento alla sezione "Configurazione di LinePainter" del presente manuale per le diverse possibilità di configurazione di LinePainter.

ATTENZIONE

Assicurarsi che lo spruzzatore senza aria sia disattivato, la sicura della pistola inserita e tutta la pressione rilasciata dal sistema prima di cambiare la configurazione di LinePainter.

Verniciatura

1. Posizionare lo spruzzatore senza aria in modo che sia vicino alla striscia da verniciare ma non interferisca durante l'applicazione.
2. Arrotolare il tubo in modo che si srotoli senza impigliarsi su sé stesso o su altri ostacoli durante l'applicazione.
3. Avviare lo spruzzatore senza aria. Seguire il procedimento di avvio e le avvertenze di sicurezza illustrati nel manuale dell'utente dello spruzzatore senza aria.

ATTENZIONE

POSSIBILE PERICOLO DI INIEZIONE. Non spruzzare se il dispositivo di sicurezza della punta non si trova nella posizione corretta. Mai azionare la pistola se la punta non si trova in posizione di spruzzo o sbloccata. Inserire sempre la sicura alla pistola prima di togliere, cambiare o pulire la punta.

4. Posizionare LinePainter leggermente avanti rispetto alla striscia da verniciare.
5. Cominciare a camminare con LinePainter e azionare la pistola all'inizio della striscia da verniciare.
6. Alla fine della striscia, rilasciare il grilletto e continuare a camminare un poco, se possibile.

NOTA: Se si aziona la pistola dopo aver mosso LinePainter e si rilascia il grilletto prima di fermare LinePainter si otterrà una riga verniciata in modo uniforme dall'inizio alla fine. Se la striscia da verniciare finisce con un ostacolo, rilasciare il grilletto nel momento stesso in cui si ferma LinePainter.

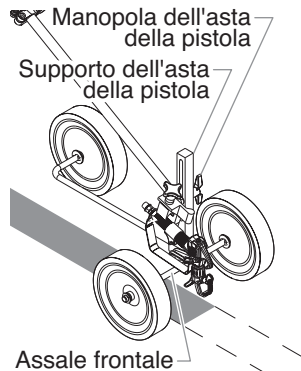
Configurazione di LinePainter

LinePainter può essere configurato per vari tipi di applicazioni di verniciatura a strisce diverse. Fare riferimento alle seguenti sezioni per i tipi di configurazione di LinePainter più utilizzati.

Verniciatura di una riga dritta

La verniciatura di una riga dritta rappresenta il tipo di applicazione di verniciatura a strisce più utilizzato. La sezione "Assemblaggio" di questo manuale contiene le informazioni sull'assemblaggio di LinePainter necessarie per eseguire la verniciatura di una riga dritta.

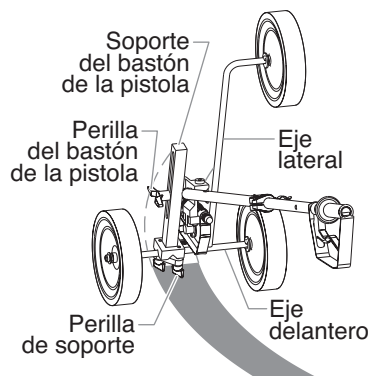
1. Montare il supporto dell'asta della pistola sull'assale frontale.
2. Allentare la manopola dell'asta della pistola per regolare l'angolo e l'altezza della pistola per ottenere le dimensioni della striscia desiderate. Stringere la manopola dell'asta della pistola.



Verniciatura di una curva

LinePainter deve essere configurato per verniciare una linea curva.

1. Montare il supporto dell'asta della pistola sull'assale frontale.
2. Allentare le manopole del supporto dell'asta della pistola.
3. Ruotare la ruota posteriore verso l'alto in modo che soltanto le due ruote frontali tocchino il terreno. L'assale laterale e le ruote posteriori dovrebbero trovarsi in posizione verticale sopra l'assale frontale e le ruote anteriori.
4. Stringere bene le due manopole del supporto dell'asta della pistola.
5. Allentare la manopola dell'asta della pistola per regolare l'angolo e l'altezza della pistola per ottenere le dimensioni della striscia desiderate. Stringere bene la manopola dell'asta della pistola.



NOTA: E' importante stringere bene la manopola dell'asta della pistola durante la configurazione di LinePainter per verniciare una curva. Se la manopola non è stretta a sufficienza, l'assale laterale e la ruota anteriore scivoleranno verso terra.

Verniciatura del bordo di un marciapiede

LinePainter deve essere configurato per verniciare il bordo di un marciapiede.

1. Montare il supporto dell'asta della pistola sull'assale laterale a uguale distanza dalle due ruote. Assicurarsi che la pistola sia puntata verso l'esterno del blocco assale.
2. Allentare la manopola dell'asta della pistola per regolare l'angolo e l'altezza della pistola. Puntare la pistola verso la piega del bordo marciapiede in modo che la vernice venga spruzzata in modo uniforme sia sulla parte orizzontale sia su quella verticale del bordo. Stringere la manopola dell'asta della pistola.

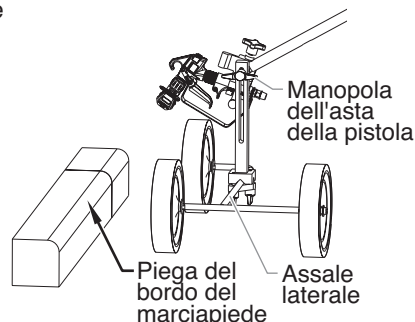


Tabella suggerimenti per la verniciatura di righe

Codice (#) punta	Larghezza della riga	Dimensioni del foro	Usi più frequenti
0561504	2"-3" (51- 76 mm)	.015" (.38 mm)	Decorazioni & campi di atletica spessore sottile
0561508	4"-8" (102-203 mm)	.015" (.38 mm)	Decorazioni & campi di atletica spessore sottile
0561704	2"-3" (51- 76 mm)	.017" (.43 mm)	Verniciature su strada (per la maggior parte): spessore medio
0561708	4"-8" (102-203 mm)	.017" (.43 mm)	Verniciature su strada (per la maggior parte): spessore sottile
0561904	2"-3" (51- 76 mm)	.019" (.48 mm)	Verniciature su strada (per la maggior parte): spessore grosso
0561908	4"-8" (102-203 mm)	.019" (.48 mm)	Verniciature su strada (per la maggior parte): spessore medio
0562108	4"-8" (102-203 mm)	.021" (.53 mm)	Verniciature su strada (per la maggior parte): spessore grosso
0562112	6"-12" (152-305 mm)	.021" (.53 mm)	Verniciature su strada (per la maggior parte): spessore sottile
0562308	4"-8" (102-203 mm)	.023" (.58 mm)	Verniciature su strada (per la maggior parte): spessore grosso
0562328	6"-12" (152-305 mm)	.023" (.58 mm)	Verniciature su strada (per la maggior parte): spessore medio

Pulizia

⚠ ATTENZIONE

Segue un elenco di istruzioni particolari per la pulizia con solventi infiammabili::

- Lavare sempre la pistola preferibilmente all'aperto ed almeno alla distanza del tubo di gomma dalla pompa.
- Se i solventi sciacquati vengono raccolti in un contenitore di metallo da un gallone (3,785 litri), posizionare il contenitore in un altro contenitore vuoto da cinque galloni (18,9 litri), quindi sciacquare i solventi.
- Non devono esserci vapori infiammabili nell'area.
- Seguire tutte le istruzioni per la pulizia.

⚠ AVVERTENZA

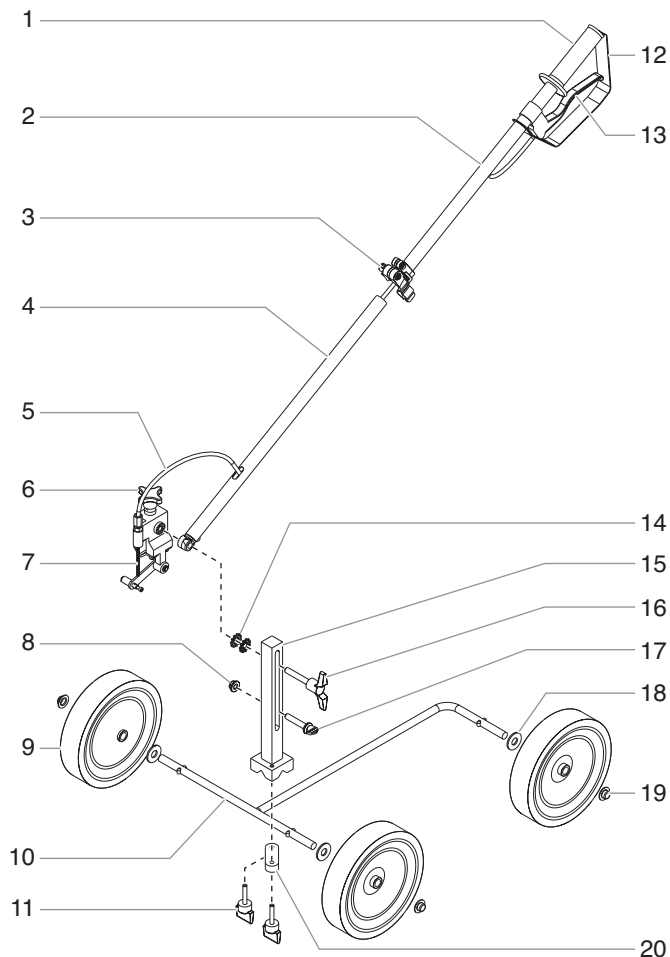
Lo spruzzatore, il tubo e la pistola dovrebbero essere pulite con cura dopo l'uso quotidiano, altrimenti il materiale si accumula pregiudicando il funzionamento dell'unità.

⚠ ATTENZIONE

Spruzzare sempre alla pressione minima togliendo la punta dell'ugello della pistola quando si usano spiriti minerali o qualsiasi altro solvente per pulire lo spruzzatore, il tubo o la pistola. L'accumulo di elettricità statica potrebbe provocare un incendio o un'esplosione alla presenza di vapori infiammabili.

1. Seguire il "Procedimento di rilascio della pressione" illustrato nel manuale dell'utente dello spruzzatore senza aria.
2. Seguire il procedimento di "Pulizia" illustrato nel manuale dell'utente della pistola senza aria.
3. Pulire tutte le superfici di LinePainter.
4. Riporre LinePainter in un'area pulita e asciutta.

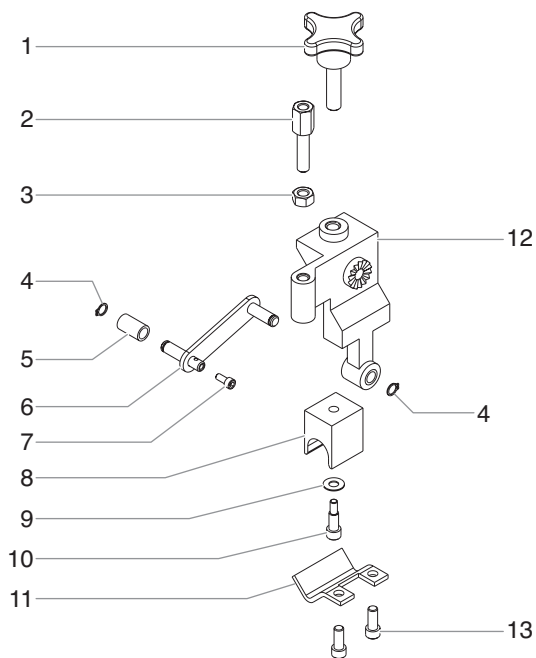
Elenco componenti Assemblaggio principale



Articolo	Pezzo	Descrizione	Quantità
1	0555301	Impugnatura	1
2	0555302	Asta della pistola, parte superiore	1
3	0555303	Blocco chiusura dell'asta	1
4	0555304	Asta della pistola, parte inferiore	1
5	0555305	Filo elettrico	1
6	0555101	Blocco pistola	1
7	0555306	Molla di richiamo	1
8	0555316	Dado del fermo della pistola	1
9	0270359	Ruota	3
10	0555307	Assale	1
11	0555308	Manopola del supporto	2
12	0555309	Dispositivo di sicurezza del	1
13	0555310	Grilletto	1
14	0555311	Rondella elastica di sicurezza a stella	2
15	0555312	Supporto dell'asta della pistola	1
16	0555313	Manopola dell'asta della pistola	1
17	0555315	Vite a galletto del fermo della pistola	1
18	9820208	Rondella della ruota	3
19	0275728	Coperchio della ruota	3
20	0555314	Staffa del supporto	1
	0555900	Lubrificante	1

NOTA: Il blocco dell'asta e della pistola può essere utilizzato come asta di prolungamento della pistola. Ordinare la manopola P/N 0555329 e la rondella P/N 0555330 per sostituire gli articoli 14 e 16 per la configurazione dell'asta di prolungamento.

Blocco pistola (P/N 0555101)



Articolo	Pezzo	Descrizione	Quantità
1	0555317	Manopola della chiusura della pistola	1
2	0555318	Vite di regolazione del filo elettrico	1
3	0555319	Controdado	1
4	0555320	Anello elastico	2
5	0555321	Manicotto	1
6	0555322	Staffa	1
7	0555323	Vite	1
8	0555324	Blocco chiusura	1
9	0555325	Rondella	1
10	0555326	Vite	1
11	0555327	Supporto della pistola	1
12	0555100	Blocco pistola	1
13	0555328	Vite	2

I dati relativi alla sicurezza del materiale (MSDS, Material Safety Data Sheets) sono disponibili sul sito internet della Wagner oppure chiamando il servizio di assistenza tecnico.

Inhoudsopgave

Veiligheidsrichtlijnen	31
Algemene beschrijving	32
Montage	32
Bediening	33
In gebruik nemen	33
Markeringen aanbrengen	34
LinePainter configureren	34
Overzicht spuitmond	34
Reinigen	35
Lijst van onderdelen	35
Overzicht hoofdonderdelen	35
Pistoolhouder	36

Veiligheidsrichtlijnen

Deze handleiding bevat informatie die u moet lezen en begrijpen voordat u het toestel gebruikt. Wanneer u bij een gedeelte aankomt dat een van de volgende symbolen bevat, dient u extra voorzichtig te werk te gaan en de informatie te allen tijde op te volgen.

WAARSCHUWING

Dit symbool geeft een mogelijk gevaar aan dat ernstig persoonlijk letsel of zelfs de dood tot gevolg kan hebben. Belangrijke veiligheidsinformatie volgt.

LET OP

Dit symbool geeft een mogelijk gevaar aan ten opzichte van uzelf of het toestel. Belangrijke informatie volgt over hoe u schade aan het toestel respectievelijk kleiner persoonlijk letsel kunt voorkomen.

OPMERKING: Op deze plaatsen wordt belangrijke informatie gegeven waar speciale aandacht aan dient te worden gegeven.

WAARSCHUWING

GEVAAR: Persoonlijk letsel door injectie - Een vloeistofstraal onder hoge druk afkomstig uit dit apparaat is krachtig genoeg om de huid en het onderliggende weefsel binnen te dringen, hetgeen kan leiden tot ernstig persoonlijk letsel waarbij zelfs amputatie noodzakelijk kan blijken. Raadpleeg onmiddellijk een arts.

BEHANDEL PERSOONLIJK LETSEL T.G.V. INJECTIE NIET ALS EEN SIMPELE SNEE! Injectie kan tot amputatie leiden. Raadpleeg onmiddellijk een arts.

PREVENTIE:

- NOOIT het pistool op een lichaamsdeel richten.
- NOOIT een lichaamsdeel in de vloeistofstraal houden. NIET met een lichaamsdeel een eventuele lekkage in de vloeistofslang proberen af te dichten.
- NOOIT uw hand voor het pistool houden. Handschoenen geven geen bescherming tegen persoonlijk letsel door injectie.
- ALTIJD de trekker van het pistool vergrendelen, de compressor uitschakelen en de druk laten ontsnappen voordat u het apparaat een onderhoudsbeurt geeft, de spuitmond of beschermkap daarvan schoonmaakt, de spuitmond verwisselt of het apparaat onbeheerd achterlaat. Uitschakelen van de compressormotor betekent niet automatisch dat het systeem drukloos wordt. De PRIME/SPRAY (DOORSPUITEN/SPUITEN) selectiehandel in de stand PRIME zetten om de druk te laten ontsnappen! Voor gedetailleerde informatie over de te volgen PROCEDURE voor het drukloos maken van het apparaat, zie de compressorhandleiding.
- ALTIJD de beschermkap van de spuitmond tijdens het spuiten op zijn plaats laten. De beschermkap van de spuitmond geeft enige bescherming, maar is hoofdzakelijk een waarschuwingmiddel.

- ALTIJD de spuitmond verwijderen alvorens het systeem door te spoelen of te reinigen.
- Er kan lekkage in de verflang ontstaan ten gevolge van slijtage, knikken van de slang of verkeerd gebruik. Een lek kan de oorzaak zijn van het feit dat spuitlak in de huid terecht komt. Controleer de slang voor elk gebruik.
- NOOIT een spuitpistool gebruiken waarvan de vergrendeling van de trekker niet werkt en de beschermkap van de trekker niet op de juiste plaats zit.
- Alle accessoires dienen minimaal geschikt te zijn voor gebruik op de maximale toegestane bedrijfsdruk van de spuitinstallatie. Dit geldt tevens voor de spuitmond, pistolen, verlengstukken en slang.

INFORMATIE VOOR DE BEHANDELD ARTS:

Het binnendringen van spuitlak in de huid leidt tot traumatische verwondingen. Het is belangrijk om het letsel zo spoedig mogelijk te behandelen. Stel de behandeling NIET UIT om toxisch onderzoek te verrichten. Toxiciteit doet zich bij sommige spuitlakken voor wanneer deze direct in de bloedbaan terechtkomen. Overleg met een chirurg / plastisch chirurg kan raadzaam zijn.

GEVAAR: EXPLOSIE en BRAND - Oplosmiddel- en verdamper kunnen exploderen of in brand vliegen. Dit kan leiden tot ernstig persoonlijk letsel en/of materiële schade.

PREVENTIE:

- Zorg voor goede afzuiging van de spuitdampen alsmede voor een goede toevoer van verse lucht om opeenhoping van ontvlambare dampen in de spuitruimte te voorkomen.
- Mogelijke ontstekingsbronnen (zoals statische elektriciteit, elektrische apparaten, open vuur, waakvlammen, hete objecten en vonkvorming die ontstaat bij het insteken en uittrekken van elektriciteitsnoeren respectievelijk het bedienen van lichtschakelaars) vermijden.
- Niet roken in de spuitruimte.
- Een goedwerkend brandblusapparaat moet aanwezig zijn.
- Plaats de spuitinstallatie tenminste 6,1 m van het te spuiten object in een goedgeventileerde ruimte (verleng de slang indien nodig). Ontvlambare dampen zijn vaak zwaarder dan lucht. Het bereik direct boven het vloeroppervlak dient dan ook zeer goed te worden geventileerd. De compressor bevat onderdelen waarin vonkvorming kan optreden waardoor dampen kunnen ontsteken.
- Het toestel en andere objecten in en rond de spuitruimte moeten correct worden geaard, om vonkvorming ten gevolge van statische elektriciteit te voorkomen.
- Gebruik alleen een geleidende of geaarde hogedruk vloeistofslang. Het pistool moet middels de aansluiting van de slang geaard zijn.
- Het elektriciteits snoer moet aangesloten zijn op een lichtnet met randaarde.
- Uitspoelen dient altijd in een aparte metalen container op lage druk te geschieden, waarbij de spuitmond verwijderd dient te zijn. Houd het pistool stevig tegen de zijkant van de container aangedrukt om ervoor te zorgen dat de container geaard is en vonkvorming ten gevolge van statische elektriciteit wordt voorkomen.
- Volg de waarschuwingen en instructies van de fabrikant van de stoffen en oplosmiddelen op.
- Wees uiterst voorzichtig wanneer u stoffen gebruikt die een ontvlammingspunt lager dan 21° C hebben. Het ontvlammingspunt is de temperatuur waarbij een stof voldoende damp kan produceren om te ontvlammen.
- Het gebruik van kunststof kan vonkvorming ten gevolge van statische elektriciteit veroorzaken. Hang dan ook nooit een stuk plastic op om de spuitruimte af te schermen. Gebruik geen plastic opvangscherm wanneer u met ontvlambare stoffen spuit.
- Kies de laagst mogelijke druk om het toestel uit te spoelen.

VERBRANDINGSMOTOR (INDIEN VAN TOEPASSING)

Plaats de spuitinstallatie altijd buiten, in de frisse lucht. Houd alle oplosmiddelen uit de buurt van de uitlaat van de motor. Vul de brandstoftank nooit bij wanneer de motor nog draait of heet is. Een heet oppervlak kan er voor zorgen dat gemorste brandstof ontvlamt. Sluit de aardleiding van de compressor altijd op een geaard voorwerp aan. Raadpleeg de handleiding van de motor voor de volledige veiligheidsinformatie.

GEVAAR: EXPLOSIEGEVAAR T.G.V. GEBRUIK VAN ONGESCHIKTE STOFFEN – dit heeft ernstig persoonlijk letsel of materiële schade tot gevolg.

PREVENTIE:

- Gebruik geen stoffen die bleekmiddel of chloor bevatten.
- Gebruik geen oplosmiddelen die halogeenkoolwaterstoffen bevatten, zoals bleek, meeldauwbestrijdingsmiddel, methylchloride en 1,1,1-trichloroethaan. Deze zijn ongeschikt voor gebruik in combinatie met aluminium.
- Neem contact op met uw coating-fabrikant inzake de geschiktheid van stoffen op aluminium.

GEVAAR: GEVAARLIJKE DAMPEN – Verven, oplosmiddelen, insecticiden en andere stoffen kunnen schadelijk zijn wanneer ze worden ingeademd of in aanraking met het lichaam komen. Dampen kunnen ernstige misselijkheid, flauwvallen of vergiftiging veroorzaken.

PREVENTIE:

- Draag een beademings- of gasmasker wanneer dampen kunnen worden ingeademd. Lees alle bij het masker behorende instructies opdat u zeker weet dat het de nodige bescherming zal bieden.
- Draag een veiligheidsbril.
- Draag veiligheidskleding conform de instructies van de fabrikant van coatings.

GEVAAR: ALGEMEEN – dit kan ernstig persoonlijk letsel of materiële schade tot gevolg hebben.

PREVENTIE:

- Lees alle instructies en veiligheidsvoorzorgsmaatregelen voordat u het toestel bedient.
- Volg alle van toepassing zijnde lokale, provinciale en nationale verordeningen inzake ventilatie, brandpreventie en bediening.
- Gebruik alleen onderdelen die door de fabrikant zijn goedgekeurd. De gebruiker neemt alle risico's en aansprakelijkheden op zich wanneer hij onderdelen gebruikt die niet voldoen aan de minimale specificaties en veiligheidsrichtlijnen zoals opgesteld door de fabrikant van de compressor.
- Controleer voor elk gebruik alle slangen op inkervingen, lekkage, slijtage of uitstulping van de omhulling. Controleer op schade van of speling in verbindingstukken. Vervang de slang meteen indien zich een van deze situaties voordoet. Repareer een verflang nooit. Vervang de slang door een geaarde hogedruk slang.
- Alle slangen, wartels, pistolen en accessoires dienen minimaal geschikt te zijn voor gebruik op de maximaal toegestane bedrijfsdruk van de spuitinstallatie.
- Niet buiten spuiten wanneer er veel wind staat.
- Draag kleding opdat de verf niet in aanraking met de huid of het haar komt.
- Altijd het snoer uit het stopcontact halen voordat u werk gaat verrichten aan het toestel (geldt alleen voor elektrische apparaten).

Algemene beschrijving

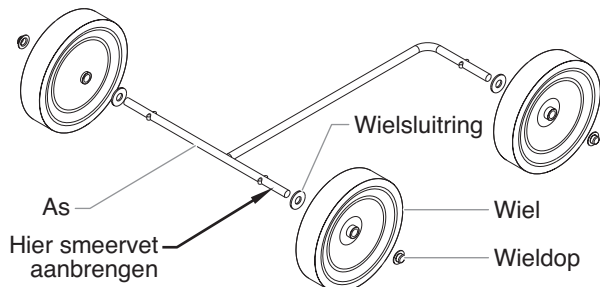
De LinePainter is een draagbare machine voor het belijnen van parkeerplaatsen, sportvelden, stoepanden, enz. De LinePainter kan met de meeste nevelspuitinstallaties worden gebruikt. Lees en volg de instructies in deze handleiding goed voor een correcte opbouw, bediening en een zo optimaal mogelijke veiligheid.



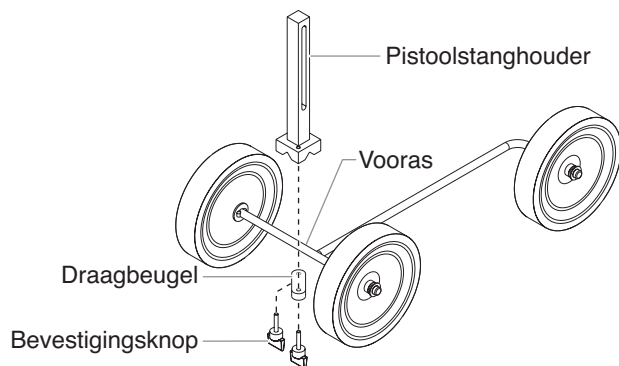
Montage

Voor het eerste gebruik van de LinePainter moeten enige montagewerkzaamheden worden verricht; hierbij is een hamer vereist. Verder is de LinePainter zodanig ontworpen dat u bij de volgende in elkaar zetten en uit elkaar halen daarvan alleen knoppen behoeft te gebruiken die eenvoudig met de hand los en vast te draaien zijn.

1. Neem de inhoud uit de doos.
2. Zoek de as, de drie wielen, de drie wielsluitringen, de drie wioldoppen en het smeerpakket bij elkaar.
3. Voor alle plaatsen waar een wiel wordt gemonteerd, geldt:
 - a. Doe een klein beetje smeervet op de as.
 - b. Schuif een wielsluitring op de as.
 - c. Schuif het wiel op de as. Zorg er voor dat de kant van het wiel met de uitstekende naaf eerst om de as gaat.
 - d. Tik met de hamer een wioldop op het uiteinde van de as; het wiel wordt hiermee geborgd.

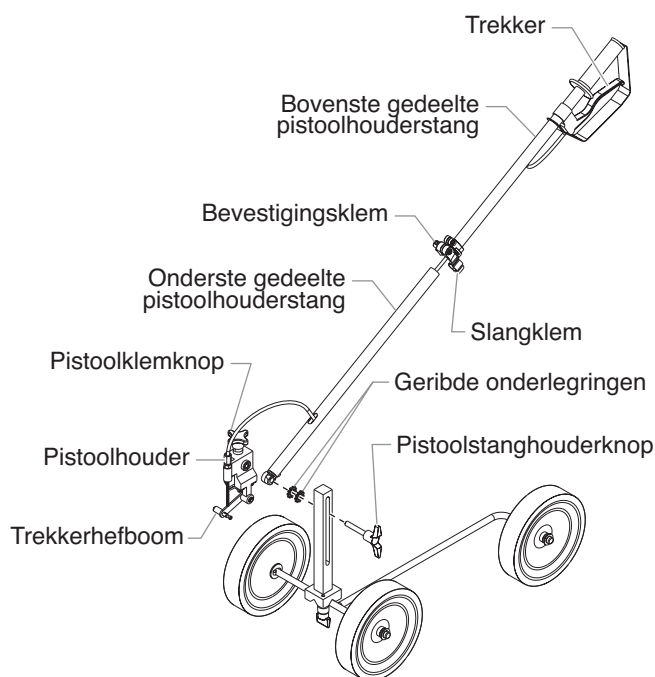


4. Zoek de pistoolstanghouder, draagbeugel en de twee bevestigingsknoppen bij elkaar.
5. Schroef een van de bevestigingsknoppen door de draagbeugel in een van de gaten aan de onderzijde van de pistoolstanghouder. Draai de bevestigingsknop nog niet aan. Laat voldoende ruimte over tussen de draagbeugel en de pistoolstanghouder om de as te kunnen monteren.
6. Bevestig de pistoolstanghouder op de vooras. Zorg ervoor dat de pistoolstanghouder op de as rust terwijl de draagbeugel zich onder de as bevindt.
7. Breng de draagbeugel op de juiste positie ten opzichte van het andere gat in de pistoolstanghouder. Schroef de andere bevestigingsknop door de draagbeugel in het gat van de pistoolstanghouder.
8. Draai beide bevestigingsknoppen aan totdat ze vast zitten, waarbij de pistoolstanghouder rechtop dient te staan.

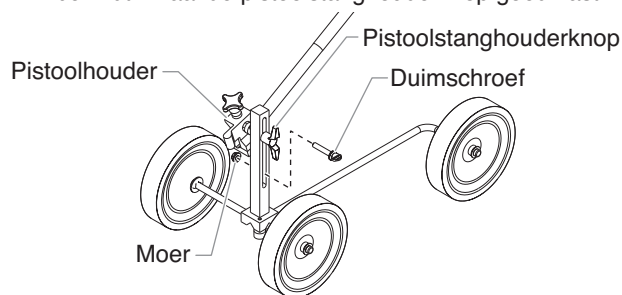


9. Neem de pistoolstang uit de reeks geleverde onderdelen. Deze wordt geleverd in twee gedeelten die aan elkaar zitten via een pistoolkabel die door het midden van beide stangdelen loopt.
10. Steek het onderste gedeelte van de pistoolstang in de bevestigingsklem aan het bovenste gedeelte van de pistoolstang.
11. Positioneer de delen zodanig dat de trekker aan het bovenste gedeelte van de pistoolstang naar beneden wijst en dat de pistoolkabel aan de bovenzijde uit het onderste gedeelte van de pistoolstang komt.
12. Draai de bevestigingsklem vast.
13. Zoek de pistoolstanghouderknop en de twee geribde onderleggingen.
14. Plaats de pistoolhouder aan de onderkant van de pistoolstang, zodanig dat het lange slobgat zich aan de zijde van de pistoolstanghouder bevindt.
15. Steek de pistoolstanghouderknop vanaf de andere kant van de pistoolstanghouder door de geribde onderleggingen en in de pistoolhouder aan de pistoolstang. Goed vastdraaien.
16. Installeer een nevelspuitpistool in de pistoolhouder.
 - a. Plaats de hendel van het pistool in de pistoolhouder.
 - b. Plaats het pistool zodanig dat de trekker op de trekkerhefboom rust.
 - c. Draai de pistoolklemknop goed vast om ervoor te zorgen dat het pistool in deze positie blijft.

OPMERKING: Al naar gelang het type nevelspuitpistool dat wordt toegepast, kan het noodzakelijk zijn om de pistoolhouder aan te passen. Hierbij is een 9/64" sleutel vereist.



17. Installeer de aanslag van het pistool op de juiste plaats.
 - a. Plaats het pistool op de gewenste minimumhoogte op de pistoolstanghouder. Draai de pistoolstanghouderknop vast om ervoor te zorgen dat het pistool in deze positie blijft.
 - b. Steek de duimschroef van de aanslag van het pistool zodanig in het slobgat van de pistoolstanghouder dat de duimschroef zich onder de pistoolhouder bevindt.
 - c. Laat de duimschroef van de aanslag van het pistool in het slobgat naar boven glijden totdat het de onderkant van de pistoolhouder aanraakt.
 - d. Schroef de moer van de aanslag van het pistool op de duimschroef van de aanslag en draai deze goed vast.
 - e. Draai de pistoolstanghouderknop los.
 - f. Pas de hendel dusdanig aan dat het pistool zich onder de gewenste hoek en op de gewenste bedieningspositie bevindt. Draai de pistoolstanghouderknop goed vast.



Bediening

⚠ WAARSCHUWING

Dit toestel produceert een vloeistofstraal onder extreem hoge druk. Lees vóórdat u dit toestel gaat bedienen de waarschuwingen zoals vermeld onder 'Veiligheidsrichtlijnen' aan het begin van deze handleiding alsmede de handleidingen van de nevelspuitinstallaties en de spuitpistolen. Zorg ervoor dat u de informatie volledig begrijpt.

In gebruik nemen

Verricht de volgende handelingen om de LinePainter voor te bereiden op gebruik.

⚠ WAARSCHUWING

Zorg ervoor dat alle nevelslangen en -spuitpistolen elektrisch geaard zijn en dat deze minimaal geschikt zijn voor gebruik op de maximaal toegestane bedrijfsdruk van de spuitinstallatie.

1. Volg de montageprocedure en veiligheidsrichtlijnen zoals vermeld in de handleiding van de nevelspuitinstallatie.
2. Volg de montageprocedure en veiligheidsinstructies zoals vermeld in de handleiding van het nevelspuitpistool.

⚠ LET OP

Houd de trekker van het spuitpistool altijd vergrendeld terwijl u het systeem voorbereidt.

3. Maak bij het vastmaken van de slang aan de spuitinstallatie gebruik van een sleutel. De slang dient een 0,7 cm nylon nevelspuitslang te zijn met een minimale lengte van 15,3 meter. Maak de slang goed vast.
4. Sluit het andere uiteinde van de slang aan op het nevelspuitpistool in de pistoolhouder van de LinePainter. Maak gebruik van twee sleutels (een voor het pistool en een voor de slang) om alles goed vast te maken.
5. Klem de nevelslang in de slangklem aan de pistoolstang.
6. Stel de LinePainter in op de gewenste wijze van belijnen (rechte lijn, kromme lijn, stoeprand, enz....). Voor gedetailleerde informatie over de verschillende configuratiewijzen, zie onder 'LinePainter configureren' elders in deze handleiding.

WAARSCHUWING

Zorg er voor dat vóórdat u de instelling van de LinePainter gaat wijzigen de nevelspuitinstallatie is uitgeschakeld, de trekker van het spuitpistool is vergrendeld en dat het systeem drukloos is gemaakt.

Markeringen aanbrengen

1. Plaats de nevelspuitinstallatie zodanig dat deze voldoende dichtbij het te belijnen traject staat, maar deze het aanbrengen van de lak niet hindert.
2. Rol de slang zodanig op dat deze tijdens het aanbrengen van de lak afrolt zonder in zichzelf of een ander obstakel verstrikt te raken.
3. Start de nevelspuitinstallatie. Volg de opstartprocedure en veiligheidsrichtlijnen zoals vermeld in de handleiding van de nevelspuitinstallatie.

WAARSCHUWING

Persoonlijk letsel door injectie. Zorg dat tijdens het spuiten de beschermkap van de spuitmond steeds op zijn plaats blijft. Het spuitpistool slechts activeren wanneer de spuitmond in de stand doorspuiten of spuiten staat. De trekker van het pistool altijd vergrendelen alvorens de spuitmond van de spuitmond te verwijderen, deze te vervangen of deze schoon te maken.

4. Plaats de LinePainter iets voor het te belijnen traject.
5. Begin met de LinePainter te lopen en bedien de trekker van het pistool aan het begin van het te belijnen traject.
6. Laat aan het eind van het te belijnen traject de trekker weer los en loop, zo mogelijk, nog een klein stukje verder.

OPMERKING: De trekker van het pistool eerst bedienen nadat de LinePainter in beweging is gekomen en weer loslaten voordat de LinePainter weer stilstaat; op deze wijze bent u verzekerd van een gelijkmatige belijning van het begin tot het einde. Indien het te verven traject eindigt bij een obstakel, laat dan de trekker los op hetzelfde moment als de LinePainter tot stilstand komt.

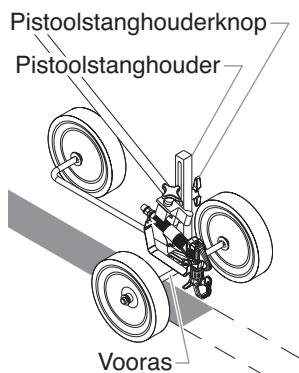
LinePainter configureren

De LinePainter kan geconfigureerd worden voor verschillende wijzen van belijnen. Zie hierna voor de meest voorkomende configuraties.

Rechte lijn trekken

Belijnen in een rechte lijn is de meest voorkomende wijze van gebruik. Zie onder 'Montage' elders in deze handleiding voor de instructies met betrekking tot het opbouwen van de LinePainter voor het trekken van rechte lijnen.

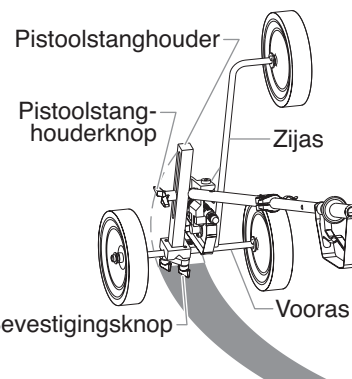
1. Monteer de pistoolstanghouder op de vooras.
2. Draai de pistoolstanghouderknop los om de hoek en hoogte van het pistool voor de gewenste maat van de lijn aan te passen. Draai de pistoolstanghouderknop vervolgens weer vast.



Kromme lijn trekken

De LinePainter kan ingesteld worden om een kromme lijn te trekken.

1. Monteer de pistoolstanghouder op de vooras.
2. Draai de bevestigingsknoppen van de pistoolstanghouder los.
3. Draai het achterwiel een stukje naar boven Bevestigingsknop zodat alleen de twee voorwielen de grond raken. De zijas en het achterwiel dienen nu verticaal boven de vooras en voorwielen te staan.
4. Draai de twee bevestigingsknoppen van de pistoolstanghouder goed vast.
5. Draai de pistoolstanghouderknop los om de hoek en hoogte van het pistool voor de gewenste maat van de lijn aan te passen. Draai de pistoolstanghouderknop vervolgens weer goed vast.

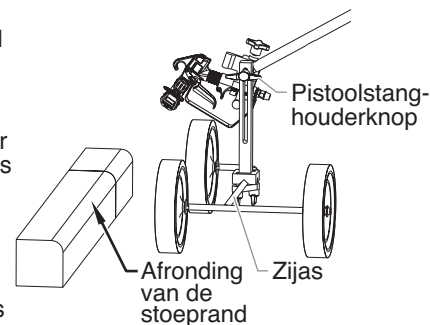


OPMERKING: Het is belangrijk om de pistoolstanghouderknop goed vast te draaien wanneer de LinePainter wordt geconfigureerd op het trekken van kromme lijnen. Indien de knop niet goed vast zit, kunnen de zijas en het achterwiel naar beneden glijden en de grond raken.

Stoeprand belijnen

De LinePainter kan worden geconfigureerd om een stoeprand te belijnen.

1. Monteer de pistoolstanghouder op de zijas, precies tussen de twee wielen in. Zorg ervoor dat het spuitpistool naar de buitenkant van de asconstructie is gericht.
2. Draai de pistoolstanghouderknop los om de hoek en hoogte van het pistool aan te passen. Richt het pistool zodanig op de afronding van de stoeprand dat de verf gelijkmatig aan beide (horizontale en verticale) zijden van de stoeprand wordt gespoten. Draai de pistoolstanghouderknop vervolgens weer vast.



Overzicht spuitmonden

Spuitmond onderdeelnummer	Lijnbreedte	Grootte van de uitstroomopening	Normale toepassingen
0561504	2"-3" (51-76 mm)	.015" (.38 mm)	Sjablonen & Sportvelden— dunne laag
0561508	4"-8" (102-203 mm)	.015" (.38 mm)	Sjablonen & Sportvelden— dunne laag
0561704	2"-3" (51-76 mm)	.017" (.43 mm)	Meeste wegenlakken — middelmatige laag
0561708	4"-8" (102-203 mm)	.017" (.43 mm)	Meeste wegenlakken — dunne laag
0561904	2"-3" (51-76 mm)	.019" (.48 mm)	Meeste wegenlakken — dikke laag
0561908	4"-8" (102-203 mm)	.019" (.48 mm)	Meeste wegenlakken — middelmatige laag
0562108	4"-8" (102-203 mm)	.021" (.53 mm)	Meeste wegenlakken — dikke laag
0562112	6"-12" (152-305 mm)	.021" (.53 mm)	Meeste wegenlakken — dunne laag
0562308	4"-8" (102-203 mm)	.023" (.58 mm)	Meeste wegenlakken — dikke laag
0562328	6"-12" (152-305 mm)	.023" (.58 mm)	Meeste wegenlakken — middelmatige laag

Reinigen

⚠ WAARSCHUWING

Indien u ontvlambare oplosmiddelen gebruikt, volg dan de volgende speciale schoonmaakinstructies:

- Het spuitpistool bij voorkeur altijd buiten uitspoelen terwijl u tenminste een slanglengte van de compressor verwijderd bent.
- Indien u de uitgespoelde oplosmiddelen opvangt in een metalen 3,8 liter container, dient u deze container in een lege 19 liter container te plaatsen voordat u de oplosmiddelen uitspoelt.
- De ruimte moet vrij van ontvlambare dampen zijn.
- Volg alle overige reinigingsinstructies.

⚠ LET OP

De spuitinstallatie, slang en het pistool moeten elke dag na gebruik grondig schoongemaakt worden. Indien u dit niet doet, kunnen bepaalde stoffen zich ophopen en de prestatie van het toestel ernstig belemmeren.

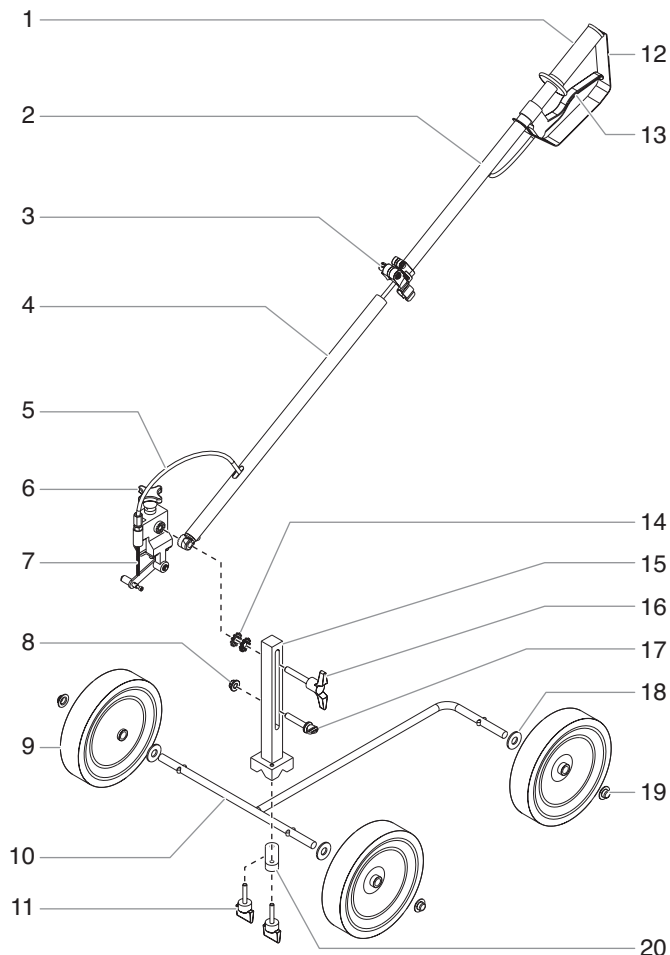
⚠ WAARSCHUWING

Indien u spiritus of enig ander oplosmiddel gebruikt om de spuitinstallatie, slang en het pistool schoon te maken, moet u altijd de pistoolspuitmond verwijderen en spuiten met een minimale druk. Indien er ontvlambare dampen aanwezig zijn, kan opgebouwde statische elektriciteit resulteren in brand of een explosie.

1. Volg de 'procedure voor het drukloos maken van de installatie' zoals vermeld in de handleiding bij de nevelspuitinstallatie.
2. Volg de 'reinigingsprocedure' zoals vermeld is in de handleidingen bij de nevelspuitinstallatie en het spuitpistool.
3. Veeg de buitenkant van de LinePainter schoon.
4. Berg de LinePainter in een schone, droge ruimte op.

Lijst van onderdelen

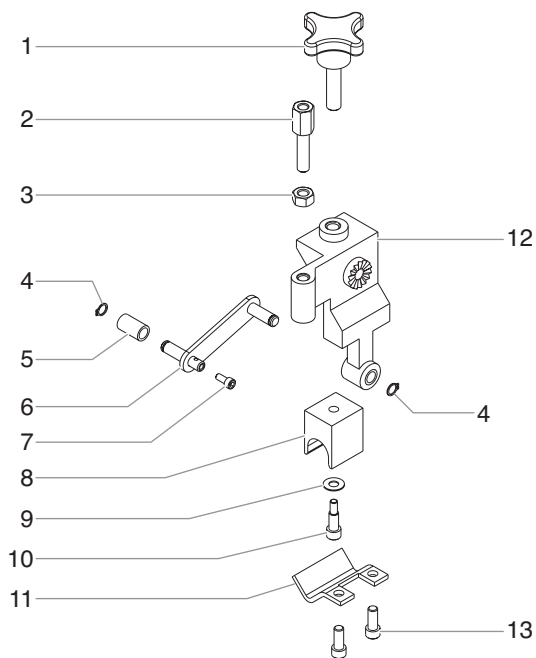
Overzicht hoofdonderdelen



Item	Onderdeel	Beschrijving	Hoeveelheid
1	0555301	Handgreep	1
2	0555302	Pistoolstang, bovenste gedeelte	1
3	0555303	Bevestigingsklem	1
4	0555304	Pistoolstang, onderste gedeelte.....	1
5	0555305	Kabel	1
6	0555101	Pistoolhouder	1
7	0555306	Terugstelveer.....	1
8	0555316	Moer pistoolaanslag	1
9	0270359	Wiel	3
10	0555307	As	1
11	0555308	Bevestigingsknop	2
12	0555309	Beschermkap van de trekker	1
13	0555310	Trekker	1
14	0555311	Geribde onderlegging	2
15	0555312	Pistoolstanghouder	1
16	0555313	Pistoolstanghouderknop.....	1
17	0555315	Duimschroef pistoolaanslag	1
18	9820208	Wielsluitring.....	3
19	0275728	Wieldop	3
20	0555314	Draagbeugel.....	1
	0555900	Smeervet.....	1

OPMERKING: De pistoolstang en -houder kunnen samen als verlengstuk voor het spuitpistool gebruikt worden. Om deze onderdelen als zodanig te kunnen installeren, dient u een knop met onderdeelnummer 0555329 alsmede een sluitring met onderdeelnummer 0555330 te bestellen; deze onderdelen vervangen dan de items 14 en 16.

Pistoolhouder (P/N 0555101)



Item	Onderdeel	Beschrijving	Hoeveelheid
1	0555317	Pistoolklemknop.....	1
2	0555318	Schroef om de kabel aan te passen.....	1
3	0555319	Borgmoer.....	1
4	0555320	Veerring.....	2
5	0555321	Doorvoer.....	1
6	0555322	Beugel.....	1
7	0555323	Schroef.....	1
8	0555324	Klemblok.....	1
9	0555325	Sluitring.....	1
10	0555326	Schroef.....	1
11	0555327	Pistoolsteun.....	1
12	0555100	Pistoolbevestiging.....	1
13	0555328	Schroef.....	2

Databladeren inzake materiaalveiligheid (MSDS) zijn beschikbaar op de website van Wagner. U kunt hiervoor ook de technische dienst van uw dealer bellen.

Indholdsfortegnelse

Sikkerhedsforanstaltninger	37
Generel beskrivelse	38
Samling	38
Drift	39
Opstilling	39
Maling	39
Konfigurering af LinePainter	40
Diagram over spidser til afstribning	40
Rengøring	40
Liste over dele	41
Hovedsamling	41
Pistolaffutagesamling	41

Sikkerhedsforanstaltninger

Denne manual indeholder information, som skal læses og forstås, før udstyret tages i brug. Når De kommer til et sted, der har et af de følgende symboler, bør De læse det med særlig opmærksomhed og sikre, at de nævnte beskyttelsesforanstaltninger bliver truffet.

⚠ ADVARSEL

Dette symbol indikerer en potentiel fare, som kan forårsage alvorlig personskade eller dødsfald. Vigtig sikkerhedsinformation følger.

⚠ PAS PÅ

Dette symbol indikerer en potentiel fare for Dem eller for udstyret. Vigtig information følger, som fortæller hvordan beskadigelse af udstyret undgås, og hvordan anledninger til mindre personskader kan undgås.

BEMÆRK: Bemærk giver vigtig information, som bør tildeles special opmærksomhed.

⚠ ADVARSEL

FARE: Injektionsskade - En højtryksvæskestrøm frembragt af dette udstyr kan gennemtrænge huden og det underliggende væv, hvilket kan føre til alvorlig personskade og risiko for amputation. Søg øjeblikkeligt læge.

BEHANDL IKKE EN INJEKTIONSSKADE SOM ET ALMINDELIGT SÅR! Injektion kan føre til amputation. Søg øjeblikkeligt læge.

PRÆVENTION:

- Sigt ALDRIG pistolen mod nogen del af kroppen.
- Tillad ALDRIG nogen del af kroppen at berøre væskestrømmen. LAD IKKE kroppen komme i berøring med en utæthed i væskeslangen.
- Sæt ALDRIG hånden foran pistolen. Handsker yder ikke beskyttelse mod injektionsskade.
- Lås ALTID pistolaftrækkeren, sluk for pumpen, og aftag al tryk før serviceeftersyn, rensning af spids eller værn, udskiftning af spids, eller før anlægget forlades uden opsyn. Trykket aftages ikke ved at motoren slukkes. For at aftage trykket skal PRIME/SPRAY [SNAPSE/SPRØJTE] ventilhåndtaget vendes mod PRIME. Der henvises til TrykaflastningsPROCEDURE beskrevet i pumpemanualen.
- Hold ALTID spidsens værn på plads, imens der sprøjtes. Spidsens værn yder nogen beskyttelse, men det er hovedsageligt en advarselsanordning.
- Fjern ALTID sprøjtespiden, før systemet skylles eller renses.
- Farveslangen kan udvikle utætheder på grund af slitage, snoninger og mishandling. En utæthed kan sprøjte materiale ind i huden. Kontrollér slangen før hver anvendelse.
- Anvend ALDRIG en sprøjtepidstol, uden at der er en fungerende aftrækkerlås og aftrækkerbøjle på plads.

- Alt tilbehør skal være klassificeret ved eller over sprøjtes maksimale arbejdsstrykniveau. Dette inkluderer sprøjtespidser, pistoler, forlængere, og slange.

BEMÆRKNING TIL LÆGE:

Injektion i huden er en traumatisk personskade. Det er vigtigt at behandle skaden hurtigst muligt. Udsæt IKKE behandling for at undersøge toksicitet. Toksicitet er foruroligende ved nogle malinger, hvis de sprøjtes direkte ind i blodstrømmen. Det kan være tilrådeligt at konsultere en plastikkirurg eller en kirurg med speciale i rekonstruktion af hånden.

FARE: EKSPLOSION og BRAND – Opløsnings- og malerdampe kan eksplodere eller antænde. Alvorlig personskade og/eller ejendomsbeskadigelse kan forekomme.

PRÆVENTION:

- Sørg for at der er vidtgående udsugning og indførsel af frisk luft, så luften indenfor sprøjteområdet kan holdes fri for akkumulering af brændbare dampe.
- Undgå alle antændelseskilder, såsom gnister fra statisk elektricitet, elektriske apparater, åben ild, vågeblus, varme ting, og gnister, der opstår ved tilslutning og afbrydning af strømtilførselsledninger eller lyskontakter i brug.
- Rygning forbudt i sprøjteområdet.
- Der skal være en ildslukker tilstede, og den skal være i god fungerende stand.
- Placer sprøjten mindst 6,1 m (20 feet) fra sprøjteobjektet i et område med god udluftning (tilføj om nødvendigt mere slange). Brændbare dampe er ofte tungere end luft. Gulvarealet skal være særdeles godt udluftet. Pumpen indeholder gnistfremkaldende dele, og de udsendte gnister kan antænde dampe.
- Udstyret og objekter i og omkring sprøjteområdet skal have god jordforbindelse for at undgå dannelse af statiske gnister.
- Anvend kun højtryksvæskeslanger, som er lavet af ledende materiale eller som er jordforbundne. Pistolen skal være jordforbunden via slangekoblinger.
- Strømtilførselsledningen skal være tilsluttet et jordforbundet kredsløb.
- Skyl altid enheden i separat metalbeholder ved lavt pumpetryk, og sprøjtespiden skal være fjernet. Hold pistolen tæt mod siden af beholderen for at jordforbinde beholderen og modvirke statiske gnister.
- Følg materiale- og opløsningsproducentens advarsler og instruktioner.
- Udvis særdeles stor forsigtighed, når der anvendes materialer med et flammepunkt under 21° C (70° F). Flammepunktet er den temperatur, hvorved en væske kan frembringe nok dampe til at antænde.
- Plastik kan bevirke statiske gnister. Hæng aldrig plastik op for at aflukke sprøjteområdet. Anvend ikke afdækningsmateriale af plastik, når der sprøjtes brændbare materialer.
- Anvend lavest mulige tryk til skylning af udstyret.

GASMOTOR (HVOR SÅDAN KAN ANVENDES)

Anbring altid sprøjten i frisk luft udenfor bygningen. Hold alle opløsningsmidler væk fra motorudstødning. Påfyld aldrig brændstoffranken, når motoren kører eller er varm. En varm flade kan antænde spildt brændstof. Tilslut altid jordledning fra pumpen til en jordforbundet genstand. Der henvises til motorejerens manual for udtømmende sikkerhedsinformation.

FARE: EKSPLOSIONSFARE FORÅRSAGET AF UFORENELIGE MATERIALER – vil forårsage alvorlig personskade eller ejendoms-skade.

PRÆVENTION:

- Anvend ikke materialer, der indeholder blegemidler eller klorin.
- Anvend ikke halogenerede kulbrinte-opløsningsmidler, såsom blegemidler, meldugfungicider, metylenklorid og 1,1,1 - trikloroetan. De er ikke forenelige med aluminium.
- Kontakt Deres leverandør af maling om forenelighed af materialer med aluminium.

FARE: FARLIGE DAMPE - Malinger, opløsningsmidler, insektbekæmpelsesmidler, og andre materialer kan være skadelige hvis de inhaleres eller kommer i kontakt med kroppen. Dampe kan forårsage alvorlig kvalme, besvimelse eller forgiftning.

PRÆVENTION:

- Anvend en gasmaske eller maske, hvis der er risiko for, at dampe kan blive inhaleret. Læs alle instruktioner der er leveret med masken for at sikre, at den yder den nødvendige beskyttelse.
- Bær øjenbeskyttelse.
- Bær beskyttelsestøj som foreskrevet af beklædningsproducenten.

FARE: GENEREL - Kan forårsage alvorlig personskade eller ejendomsskade.

PRÆVENTION:

- Læs alle instruktioner og sikkerhedsforanstaltninger, før udstyret tages i brug.
- Følg alle relevante lokale og nationale lovforskrifter vedrørende ventilation, brandprævention og drift.
- Anvend kun dele, der er godkendt af producenten. Bruger påtager sig enhver risiko og ethvert ansvar, når der anvendes dele, som ikke imødekommer pumpeproducentens minimumsspecifikationer og sikkerhedsanordninger.
- Før enhver anvendelse, kontrollér alle slanger for snit, utætheder, slitage eller udbuling af beklædningen. Kontrollér om koblinger er beskadiget eller har flyttet sig. Udskift øjeblikkeligt slangen, hvis nogen af disse forhold er tilstede. Reparér aldrig en farveslange. Udskift den med en jordforbunden højtryksslange.
- Alle slanger, drejeled, pistoler og tilbehør skal være trykklassificerede ved eller over sprøjtens maksimale arbejdsstrykniveau.
- Undlad at sprøjte udendørs på dage, hvor det blæser.
- Bær beklædning, der holder malingen væk fra hud og hår.
- Tag altid ledningen ud af stikkontakten, før der arbejdes på udstyret (kun elektriske enheder).

General beskrivelse

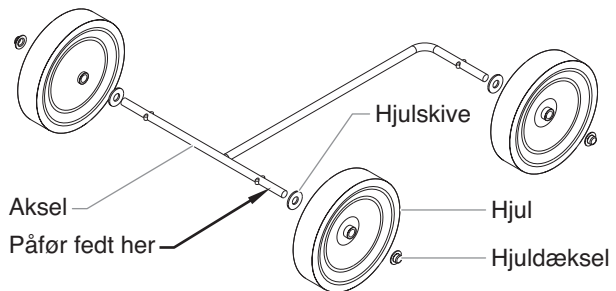
LinePainter er et bærbart linieafstrikningsredskab, som anvendes til maling af parkeringspladslinier, atletikbanelinier, kantsten, o.s.v. LinePainter kan anvendes med de fleste luftløse sprøjter. Læs og følg omhyggeligt denne instruktionsmanual mht. korrekt opstilling, driftsinstruktioner og sikkerhedsinformation.



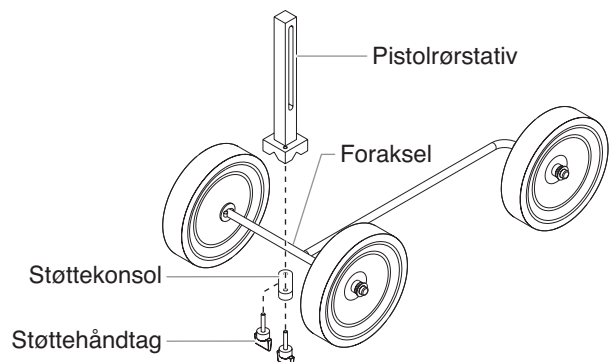
Samling

LinePainter skal monteres før den første anvendelse. Der er brug for en hammer til den første samling. Bortset fra dette, er LinePainter designet til let at monteres og demonteres, idet der anvendes håndtag, som kan strammes i hånden.

1. Pak boksens indhold ud.
2. Find akslen, tre hjul, tre hjulskiver, tre hjuldæksler, og fedtpakning.
3. Ved hver hjulplacering på akslen:
 - a. Tryk en lille smule fedt ud på akslen.
 - b. Lad en hjulskive glide ind på akslen.
 - c. Lad et hjul glide ind på akslen. Sørg for at den side af hjulet, som har det forlængede nav, går først på akslen.
 - d. Brug en hammer til at banke et hjuldæksel for enden af akslen, så hjulet sidder fast.



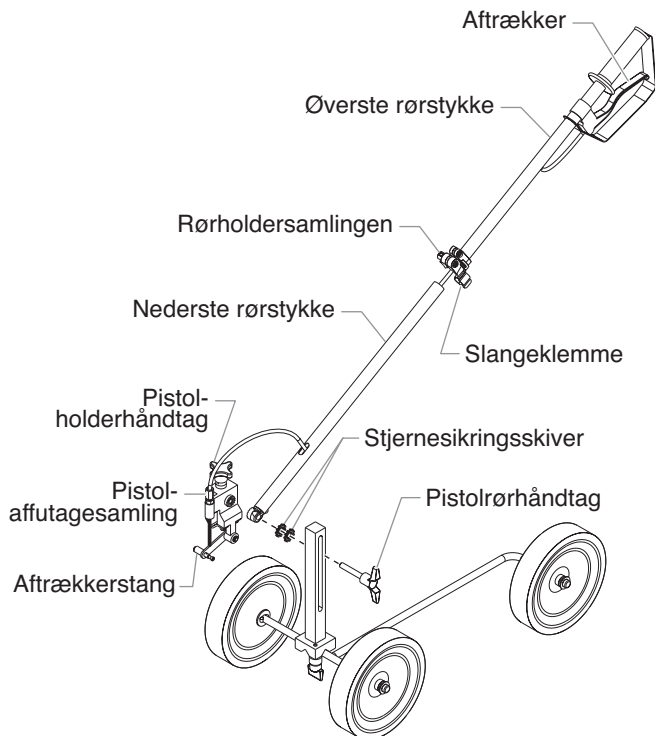
4. Find pistolrørstativ, støttekonsol og to støttehåndtag.
5. Skru det ene af støttehåndtagene gennem støttekonsollen og ind i et af hullerne i bunden af pistolrørstativet. Undlad at spænde støttehåndtaget fast. Der skal være et tilstrækkeligt stort rum mellem støttekonsollen og pistolrørstativet, til at akslen kan passere igennem.
6. Sæt pistolrørstativet på forakslen. Sørg for at pistolrørstativet hviler på akslen med støttekonsollen nedenunder akslen.
7. Ret støttekonsollen ind med det resterende hul på pistolrørstativet. Skru det resterende støttehåndtag gennem støttekonsollen og ind i hullet i pistolrørstativet.
8. Spænd begge støttehåndtag godt fast, idet pistolrørstativet står ret op.



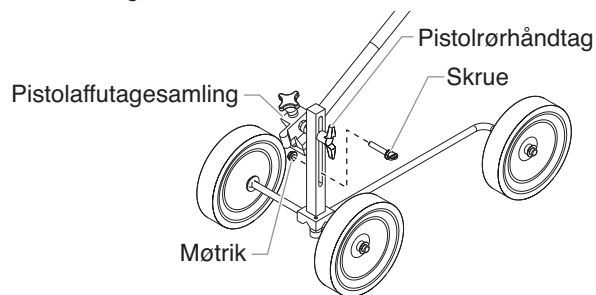
9. Find pistolrøret. Det forsendes i to stykker, som er forbundne via pistolkablet, der løber gennem rørstyrkernes center.
10. Indsæt pistolrørets bundstykke i rørholdersamlingen på pistolrørets topstykke.
11. Ret stykkerne ind, så aftrækkeren på pistolrørets topstykke vender mod jorden, og så pistolkablet, der udgår fra pistolrørets bundstykke, kommer ud af toppen af røret.
12. Fastspænd rørholdersamlingen.
13. Find pistolrørhåndtaget og to stjernesikringssskiver.
14. Ret pistolaffutagesamlingen på bunden af pistolrøret ind med den lange spalteåbning på pistolrørstativet.
15. Indsæt pistolrørhåndtaget fra den modsatte side af pistolrørstativet, gennem stjernesikringssskiverne og ind i pistolaffutagesamlingen på pistolrøret. Fastspænd forsvarligt.

16. Monter en luftløs sprøjtepipistol i pistolaffutagesamlingen.
- Anbring pistolgrebet i pistolaffutagesamlingen.
 - Placér pistolen, så aftrækkeren hviler på aftrækkerstangen.
 - Fastspænd pistolholderhåndtaget forsvarligt for at sikre pistolens stilling.

BEMÆRK: Justering af pistolaffutagesamlingen kan være påkrævet, afhængigt af hvilken luftløs sprøjtepipistol der anvendes. Justér, idet der anvendes en 9/64" sekskantnøgle.



17. Monter og placér pistolens aftrækkerstop.
- Placér pistolen ved den ønskede minimumshøjde på pistolrørstativet. Fastspænd pistolrørhåndtaget for at sikre pistolens stilling.
 - Indsæt pistolens aftrækkerstopskruer gennem spalteåbningen i pistolrørstativet, så skruen er under pistolaffutagesamlingen.
 - Lad aftrækkerstopskruen glide op i spalteåbningen til den rører bunden af pistolaffutagesamlingen.
 - Skrue aftrækkerstopmøtrikken på aftrækkerstopskruen og fastspænd forsvarligt.
 - Løsgør pistolrørhåndtaget.
 - Justér grebet, så pistolen får den ønskede vinkel/arbejdsposition. Fastspænd pistolrørhåndtaget forsvarligt.



Drift

⚠ ADVARSEL

Dette udstyr frembringer en væskestrøm ved særdeles højt tryk. Læs og forstå advarslerne i afsnittet om sikkerhedsforanstaltninger forrest i denne manual, såvel som manualerne for den luftløse sprøjte og sprøjtepipistolen, før der arbejdes med dette udstyr.

Opstilling

Udfør følgende procedure for at klargøre LinePainter til drift.

⚠ ADVARSEL

Sørg for, at alle luftløse slanger og sprøjtepipistoler er elektrisk jordforbundne, og at de er klassificeret ved eller over sprøjtes maksimale arbejdsniveau.

- Følg den opstillingsprocedure og de sikkerhedsforanstaltninger, som er foreskrevet i den luftløse sprøjteejers manual.
- Følg den opstillingsprocedure og de sikkerhedsforanstaltninger, som er foreskrevet i den luftløse sprøjtepipistolejers manual.

⚠ PAS PÅ

Hold altid aftrækkerlåsen på sprøjtepipistolen i aflåst stilling, imens systemet klargøres.

- Ved hjælp af en skruenøgle fastgøres mindst 15,25 m. (50') af en 0,64 cm. (1/4") luftløs sprøjteslange af nylon til sprøjten. Fastspænd forsvarligt.
- Fastgør den modsatte ende af slangen til den luftløse sprøjtepipistol i pistolaffutagesamlingen på LinePainter. Der anvendes to skruenøgler (en på pistolen og en på slangen), fastspænd forsvarligt.
- Klem den luftløse slange ind i slangeklemmen på pistolrøret.
- Konfigurér LinePainter til den type afstribsning, der skal udføres (ret linie, buet linie, kantsten o.s.v.). Der henvises til "Konfigurering af LinePainter" afsnittet i denne manual angående forskellige LinePainter opstillinger.

⚠ ADVARSEL

Sørg for, at den luftløse sprøjte er slukket, at aftrækkerlåsen på sprøjtepipistolen er i aflåst stilling, og at al tryk er taget af systemet, før LinePainter konfigurationen ændres.

Maling

- Placér den luftløse sprøjte, så den er tæt ved afstribsningsstien, men så den ikke forstyrrer under applikationen.
- Vind slangen op, så den bliver vundet ud uden at den fanges i sig selv eller af andre forhindringer under applikationen.
- Start den luftløse sprøjte. Følg den startprocedure og de sikkerhedsforanstaltninger, der er foreskrevet i ejermanualen for den luftløsesprøjte.

⚠ ADVARSEL

MULIG INJEKTIONSFARE. Undlad at sprøjte, hvis spidsens værn ikke er på plads. Aftræk aldrig pistolen, medmindre spidsen er i enten Spray [Sprøjt] eller Unclog [Klumpjernelse] position. Aktivér altid pistolaftrækkerlåsen før spidsen fjernes, udskiftes eller renses.

- Placér LinePainter lidt foran afstribsningsstien.
- Begynd at gå med LinePainter og tryk på pistolaftrækkeren ved begyndelsen af afstribsningsstien.
- For enden af afstribsningsstien, giv slip på aftrækkeren og fortsæt om muligt med at gå en kort distance.

BEMÆRK: Der frembringes en jævnt malet linie fra start til slut, ved at der trykkes på pistolens aftrækker, efter at LinePainter har bevæget sig, og ved at aftrækkeren slippes, før LinePainter stopper. Hvis afstribsningsstien ender ved en forhindring, slippes aftrækkeren i samme øjeblik, som LinePainter holder op med at bevæge sig.

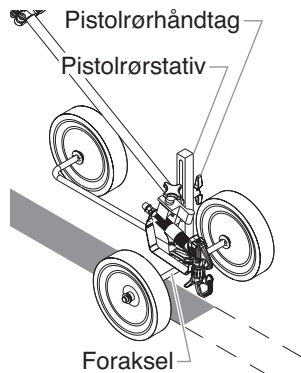
Konfigurering af LinePainter

LinePainter kan indstilles til flere forskellige former for afstribsningsapplikation. Der henvises til de følgende afsnit for de mest almindelige LinePainter konfigurationer.

Afstribning af ret linie

Den mest almindelige form for afstribsningsapplikation er ret linieafstribsning. "Samling" afsnittet i denne manual giver vejledning til samling af LinePainter med henblik på udførelse af ret linieafstribsning.

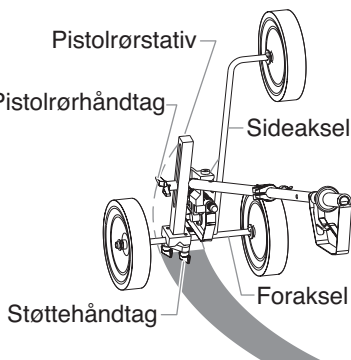
1. Montér pistolrørstativet på forakslen.
2. Løsgør pistolrørhåndtaget for at justere pistolens vinkel og højde for den ønskede stribestørrelse. Fastspænd pistolrørhåndtaget.



Afstribning af buet linie

LinePainter kan konfigureres til at male en buet linie.

1. Montér pistolrørstativet på forakslen.
2. Løsgør støttehåndtagene til pistolrørstativet.
3. Drej baghjulet op, så det kun er de to forhjul der berører jorden. Sideakslen og baghjulet skal stå lodret over forakslen og forhjulet.
4. Fastspænd pistolrørstativets to støttehåndtag forsvarligt.
5. Løsgør pistolrørhåndtaget for at justere pistolens vinkel og højde for den ønskede stribestørrelse. Fastspænd pistolrørhåndtaget forsvarligt.

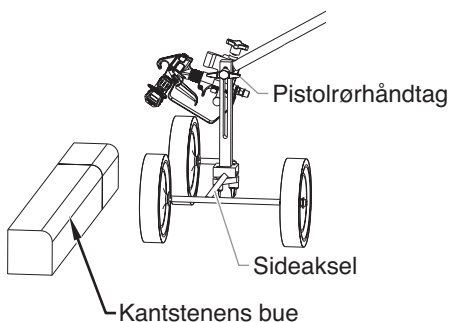


BEMÆRK: Det er vigtigt at fastspænde pistolrørhåndtaget forsvarligt, når LinePainter konfigureres til at male en buet linie. Hvis håndtaget ikke er stramt nok, vil sideakslen og baghjulet glide ned til jordniveau.

Maling af en kantsten

LinePainter kan konfigureres til at male en kantsten.

1. Montér pistolrørstativet på sideakslen med lige stor afstand mellem de to hjul. Sørg for, at sprøjtepistolen peger mod den udvendige side af akselsamlingen.



2. Løsgør pistolrørhåndtaget for at justere pistolens vinkel og højde. Lad pistolen pege mod buen af kantstenen, så malingen sprøjtes jævnt på både de vandrette og de lodrette dele af kantstenen. Fastspænd pistolrørhåndtag.

Diagram over afstribsningsspids

Spids del #	Liniebredde	Mundingsstørrelse	Almindelige anvendelser
0561504	51- 76 mm (2"-3")	0,015" (0,38 mm)	Skabeloner & atletikbaner — let film
0561508	102-203 mm (4"-8")	0,015" (0,38 mm)	Skabeloner & atletikbaner — let film
0561704	51- 76 mm (2"-3")	0,017" (0,43 mm)	Højtrafik maling — medium film
0561708	102-203 mm (4"-8")	0,017" (0,43 mm)	Højtrafik maling — let film
0561904	51- 76 mm (2"-3")	0,019" (0,48 mm)	Højtrafik maling — kraftig film
0561908	102-203 mm (4"-8")	0,019" (0,48 mm)	Højtrafik maling — medium film
0562108	102-203 mm (4"-8")	0,021" (0,53 mm)	Højtrafik maling — kraftig film
0562112	152-305 mm (6"-12")	0,021" (0,53 mm)	Højtrafik maling — let film
0562308	102-203 mm (4"-8")	0,023" (0,58 mm)	Højtrafik maling — kraftig film
0562328	152-305 mm (6"-12")	0,023" (0,58 mm)	Højtrafik maling — medium film

Rengøring

ADVARSEL

Specielle rengøringsinstruktioner til anvendelse med brændbare opløsningsmidler:

- Det anbefales altid at skylle sprøjtepistolen udendørs og mindst en slangelængde fra sprøjtepumpen.
- Hvis udskyllede opløsningsmidler samles i en 1-gallon metalbeholder, anbringes beholderen i en tom 20 liters (5-gallon) beholder, hvorefter opløsningsmidlerne udskylles.
- Der må ikke være brændbare dampe tilstede i området.
- Følg alle rengøringsinstruktioner.

PAS PÅ

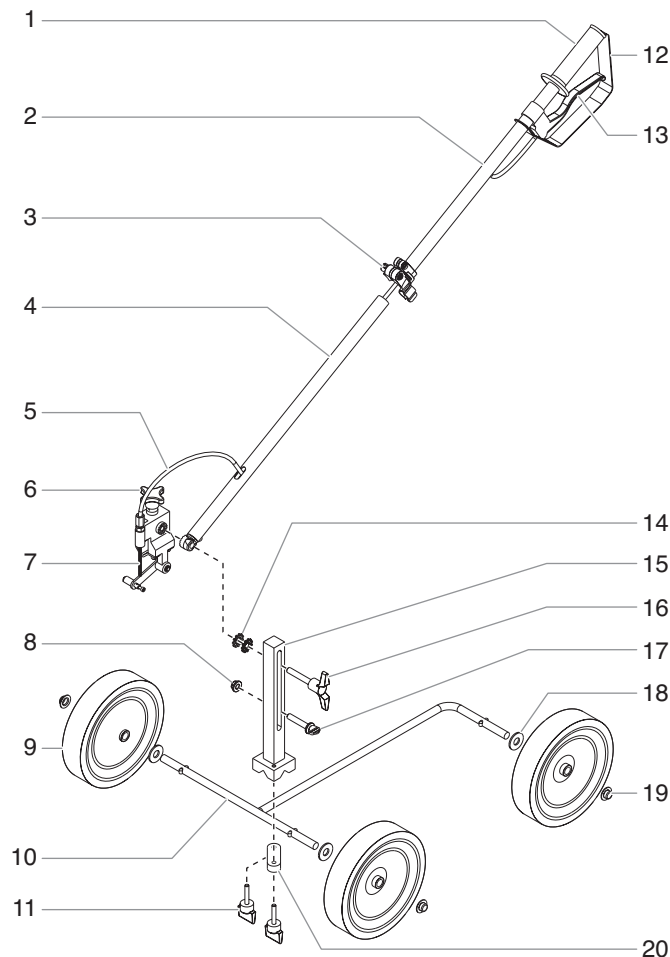
Sprøjte, slange og pistol skal rengøres grundigt efter daglig anvendelse. Hvis det undlades, ophober materialerne sig, hvilket vil have en alvorlig indvirkning på enhedens ydeevne.

ADVARSEL

Når der anvendes mineralisk terpentin eller nogen anden form for opløsningsmiddel for at rense sprøjte, slange, eller pistol, skal pistoldysespidserne altid være fjernet og der sprøjtes ved laveste tryk. Dannelse af statisk elektricitet kan resultere i brand eller eksplosion, hvis der er brændbare dampe tilstede.

1. Følg den foreskrevne "Trykaflastningsprocedure" i ejermanualer for den luftløse sprøjte.
2. Følg den foreskrevne "Rengørings" procedure i henholdsvis ejermanualen for den luftløse sprøjte og sprøjtepistol.
3. Tør alle LinePainters overflader af.
4. Opbevar LinePainter på et rent og tørt sted.

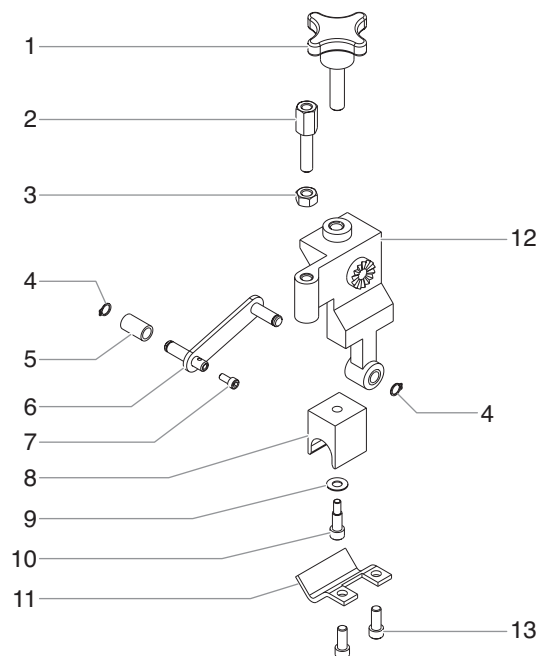
Reservedelsliste Hovedsamling



Emne	Del	Beskrivelse	Antal
1	0555301	Håndtagsgreb	1
2	0555302	Pistolrør	1
3	0555303	Rørholdersamling	1
4	0555304	Pistolrør, bund.....	1
5	0555305	Kabel.....	1
6	0555101	Pistolaffutagesamling.....	1
7	0555306	Returfjeder	1
8	0555316	Aftrækkerstopmøtrik	1
9	0270359	Hjul.....	3
10	0555307	Aksel	1
11	0555308	Støtthåndtag	2
12	0555309	Aftrækkerbøjle	1
13	0555310	Aftrækker	1
14	0555311	Stjernesikringskive	2
15	0555312	Pistolrørstativ	1
16	0555313	Pistolrørhåndtag	1
17	0555315	Aftrækkerstopskrue.....	1
18	9820208	Hjulske	3
19	0275728	Hjuldæksel	3
20	0555314	Støttekonsol.....	1
	0555900	Fedt.....	1

BEMÆRK: Pistolrør og pistolaffutagesamlingen kan anvendes som et sprøjtepistol-forlængerrør. Bestil håndtag P/N 0555329 og spændeskive P/N 0555330 for at udskifte emnerne 14 og 16 til forlængerrørkonfigurationen.

Pistolaffutagesamling (P/N 0555101)



Emne	Del	Beskrivelse	Antal
1	0555317	Gun clamp knob	1
2	0555318	Cable adjustment screw	1
3	0555319	Jam nut	1
4	0555320	Snap ring	2
5	0555321	Bushing.....	1
6	0555322	Bracket.....	1
7	0555323	Screw.....	1
8	0555324	Clamp block.....	1
9	0555325	Washer.....	1
10	0555326	Screw.....	1
11	0555327	Gun support.....	1
12	0555100	Gun mount.....	1
13	0555328	Screw.....	2

Materialesikkerhedsdatablade (MSDS) er tilgængelige på Wagner's hjemmeside eller ved at ringe til Technical Service.

Innehållsförteckning

Försiktighetsåtgärder	42
Allmän beskrivning	43
Montering	43
Drift	44
Förberedelse	44
Målning	44
Konfigurering av LinePainter	45
Diagram för målningmunstycke	45
Rengöring	45
Beståndsdelar	46
Huvuddel	46
Pistodel	46

Försiktighetsåtgärder

Den här manualen innehåller information som skall läsas och förstås innan utrustningen används. Var extra uppmärksam på följande symboler och läs noga igenom varningstexten.

VARNING

Den här symbolen innebär att det föreligger risk för allvarlig skada eller dödsfall. Viktig säkerhetsinformation följer.

OBSERVERA

Den här symbolen innebär att det föreligger risk för dig eller utrustningen. Viktig information om hur du förebygger skada på utrustningen eller hur du undviker mindre skador följer.

ANMÄRKNING: Anmärkningar ger viktig information som bör uppmärksammas särskilt.

VARNING

FARA: Sprutskador – Vätskestrålar under högt tryck som produceras av denna utrustning kan tränga igenom huden och undre vävnader vilket kan leda till allvarlig skada och eventuell amputation. Kontakta läkare omedelbart.

SPRUTSKADOR SKALL INTE BEHANDLAS SOM VANLIGA SKÅRSKADOR! Sprutskador kan leda till amputation. Kontakta läkare omedelbart.

FÖREBYGGANDE:

- Rikta ALDRIG pistolen mot någon kroppsdel.
- Låt ALDRIG någon kroppsdel vidröra vätskestrålen. Låt ALDRIG kroppen komma i kontakt med en läcka i vätskeslangen.
- Placera ALDRIG en hand framför pistolen. Handskar utgör inget skydd mot sprutskador.
- Lås ALLTID avtryckaren, stäng av pumpen och stäng av allt tryck innan underhåll, rengöring, eller utbyte av delar av sprututrustningen, eller då sprututrustningen lämnas utan tillsyn. Trycket stängs inte av då motorn stängs av. Ventilhandtaget för PRIME/SPRAY (LADDA/SPRAYA) funktionen måste ställas in på PRIME för att lätta på trycket. Se PROCEDUREN för hur trycket stängs av i pumpmanualen.
- Se till att munstycksskyddet ALLTID är på plats vid sprayning. Munstycksskyddet skyddar något men är i första hand ett varningstillbehör.
- Se till att ALLTID avlägsna spraymunstycket innan rengöring eller spolning av systemet.
- Det kan uppstå läckor i målarlangan från nötning, trassel och felaktig hantering. En läcka kan leda till att material tränger in i huden. Kontrollera slangens före varje användningstillfälle.
- Använd ALDRIG en spraypistol utan ett fungerande avtryckarlås eller utan att avtryckarskyddet är på plats.
- Alla tillbehör måste motsvara eller överskrida maximalt driftstryck för sprayanordningen. Detta inbegriper spraymunstycken, pistoler, tillbehör och slang.

MEDDELANDE TILL LÄKARE:

Insprutning i huden innebär allvarlig skada. Det är viktigt att behandla skadan så snabbt som möjligt. Vänta INTE med behandlingen och se till att undersöka toxiciteten. Risken för toxicitet föreligger i samband med vissa typer av färg som sprutas direkt in i blodströmmen. Det kan vara bra att konsultera en plastikkirurg eller en handkirurg.

FARA: EXPLOSION och BRAND – Ångor från lösningar och färg kan explodera eller antändas. Detta kan orsaka svår skada eller egendomsskada.

FÖREBYGGANDE:

- Se till att luften runt sprayområdet ventileras ordentligt och se till att undvika ackumulering av brandfarliga ångor.
- Undvik alla antändningskällor, som exempelvis gnistor från statisk elektricitet, elektrisk utrustning, eld, pilotljus, varma föremål och gnistor från strömkablar eller strömbrytare.
- Rök inte i sprayområdet.
- Det måste finnas en fungerande brandsläckare i området.
- Placera sprayanordningen på ett avstånd om minst 6.1 m (20 fot) från sprayföremålet i ett väl ventilerat område (förläng slangens vid behov). Antändbara ångor är ofta tyngre än luft. Golvområdet måste vara extremt väl ventilerat. Pumpen inbegriper bågformade delar som avger gnistor som kan antända ångorna.
- Utrustningen och föremålen i och runt sprayområdet måste vara korrekt jordade för att undvika statiska gnistor.
- Använd endast en ledande eller jordad högtrycksslang. Pistolen måste vara jordad via slanganslutningar.
- Strömkabeln måste vara ansluten till en jordad strömkrets.
- Spola alltid enheten i anslutning till en separat metallbehållare. Se till att hålla ett lågt pumstryck och att spraymunstycket avlägsnats. Håll pistolen i ett fast grepp mot behållarens sida för att jorda behållaren och undvika att statiska gnistor uppstår.
- Följ tillverkarens varningar och instruktioner beträffande material och lösningar.
- Var mycket försiktig vid användning av material med en flampunkt som understiger 70° F (21° C). Flampunkten motsvaras av den temperatur vid vilken en vätska kan producera tillräckligt med ångor för att antändas.
- Plast kan orsaka statiska gnistor. Använd aldrig plats för att inhägnat sprayområdet. Använd inte plastskydd vid sprayning av brandfarliga material.
- Använd lägsta möjliga tryck vid spolning av utrustningen.

GASMOTOR (VID FÖREKOMST AV SÅDAN)

Placera alltid sprayanordningen utanför strukturen i friskluft. Håll alla lösningar på avstånd från motorns avgasrör. Fyll aldrig bensintanken då motorn är varm eller i drift. En varm yta kan antända utspillt bränsle. Anslut alltid en jordad kabel från pumpen till ett jordat föremål. Se motorns användarmanual för utförlig säkerhetsinformation.

FARA: EXPLOSIONSRISK I ANSLUTNING TILL INKOMPATIBLA MATERIAL – orsakar allvarlig skada eller egendomsskada.

FÖREBYGGANDE:

- Använd inte material som innehåller blekmedel eller klor.
- Använd inte halogenerade kolvätelösningar som exempelvis blekmedel, mildewcide, metylenklorid och 1,1,1 – trichloroethane. Dessa är inte kompatibla med aluminium.
- Kontakta din färgåterförsäljare för information om material som är kompatibla med aluminium.

FARA: FARLIGA ÅNGOR – Färg, lösningar, insektsdödande medel och andra material kan vara skadliga vid inandning eller kroppskontakt. Ångor kan orsaka svårt illamående, svimning eller förgiftning.

FÖREBYGGANDE:

- Använd en respirator eller gasmask vid risk för inandning av ångor. Läs alla instruktioner som medföljer masken för att försäkra dig om att den erbjuder tillräckligt skydd.
- Använd skyddsglasögon.
- Använd de skyddskläder som rekommenderas av färgtillverkaren.

FARA: ALLMÄNT – Kan orsaka svår skada eller egendomsskada.

FÖREBYGGANDE:

- Läs alla instruktioner och försiktighetsåtgärder innan utrustningen används.
- Följ alla lämpliga lokala, statliga och nationella bestämmelser för ventilation, förebyggande av eldsvåda och drift.
- Använd endast tillverkarens godkända reservdelar. Användaren står för alla risker och skyldigheter vid användning av delar som inte motsvarar de minimikrav och den säkerhetsutrustning som tillhandahålls av tillverkaren.
- Undersök alla slangar för förekomst av hål, läckor, förslitningsskador eller utbuktningar före varje användningstillfälle. Undersök alla kopplingar för att se om de är skadade eller rörliga. Byt omedelbart ut slangen vid förekomst av något av ovanstående. Reparera aldrig en målar slang. Byt ut den mot en jordad högtrycksslang.
- Alla slangar, snurror, pistoler och tillbehör måste motsvara eller överskrida maximalt driftstryck för spryanordningen.
- Spraya inte utomhus i blåstigt väder.
- Bär skyddskläder för att skydda hud och hår.
- Dra alltid ur kontakten från uttaget innan arbete utförs på utrustningen (endast elektriska enheter).

Allmän beskrivning

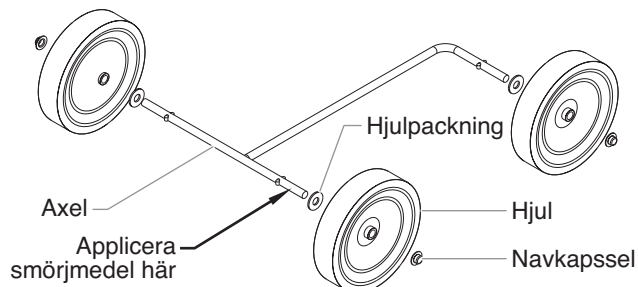
LinePainter är ett bärbart verktyg för målning av ränder på parkeringsplatser, idrottsarenor, etc... LinePainter kan användas med de flesta tryckspryanordningar. Läs och följ denna instruktionsmanual nogra för korrekt installation, driftsinstruktioner, och säkerhetsinformation.



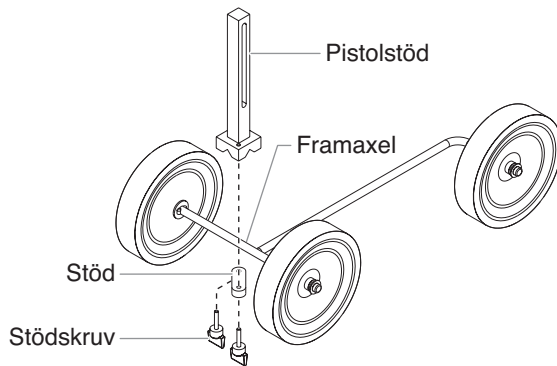
Montering

LinePainter kräver viss montering före första användningstillfället. En hammare krävs vid första monteringsstillfället. I övrigt kan LinePainter enkelt monteras och nedmonteras med hjälp av handåtdragna skruvar.

1. Packa upp lådans innehåll.
2. Lokalisera axeln, tre hjul, tre hjulpackningar, tre navkapslar, och smörjmedel.
3. Utför följande på axelns samtliga hjul:
 - a. Kläm ut en liten mängd smörjmedel på axeln.
 - b. Fäst en packning på axeln.
 - c. Fäst ett hjul på axeln. Se till att den navförsedda sidan av hjulet sätts på axeln först.
 - d. Med hjälp av en hammare slås en navkapsel på axelns utsida för att fästa hjulet.



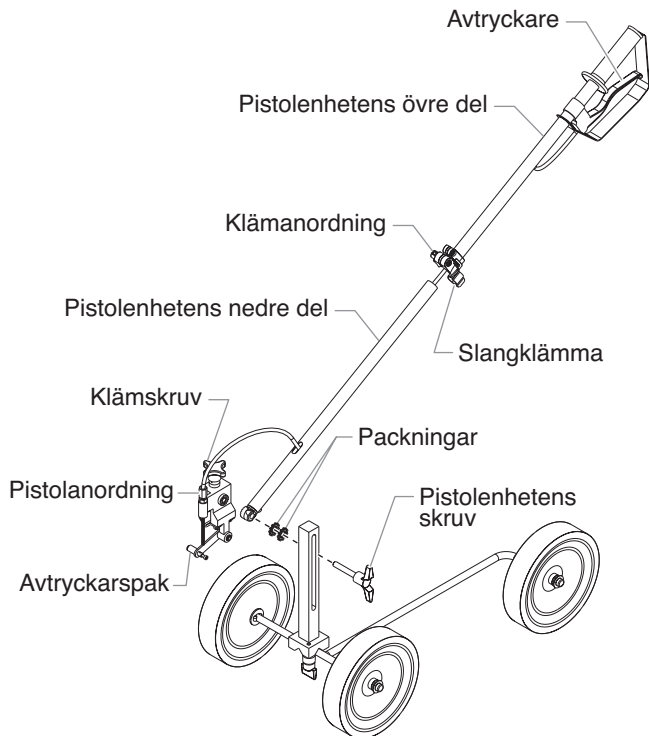
4. Lokalisera pistolstödet, fästet och två stödskravar.
5. Trä en av stödsjryvar genom stödet och i ett av hålen i pistolstödet nedre del. Dra inte åt stödskraven. Lämna tillräckligt med utrymme mellan stödskraven och pistolstödet för axeln.
6. Montera pistolstödet på den främre axeln. Se till att pistolstödet vilar på axeln och att stödet befinner sig under axeln.
7. Justera stödet med pistolstödet återstående hål. Trä återstående stödskrav genom stödet och genom pistolstödet hål.
8. Dra åt båda stödskravarna tills de sitter säkert och till dess att pistolstödet står rakt upp.



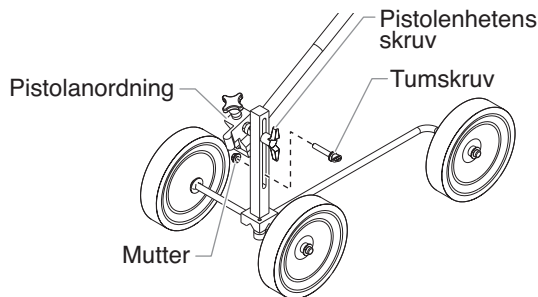
9. Lokalisera pistolenheten. Den levereras i två delar som är anslutna med en pistolkabel som löper mellan enhetens mellersta delar.
10. För in pistolenhetens nedre del i klämanordningen på pistolenhetens övre del.
11. Justera delarna så att avtryckaren på pistolenheten riktas nedåt och pistolkabeln som löper från pistolenhetens nedre del sticker ut genom enhetens övre del.
12. Dra åt klämanordningen.
13. Lokalisera pistolenhetens skruv och det två packningar.
14. Justera pistolen på pistolordningens nedre del med den långa skåran på pistolenhetens stöd.
15. Infoga pistolenhetens skruv från motsatt sida av pistolstödet motsatta sida, genom packningarna och in i pistolen på pistolordningen. Dra åt ordentligt.

16. Montera en tryckspraypistol i pistolanordningen.
- Placera pistolens handtag i pistolensheten.
 - Placera pistolen så att avtryckaren vilar på avtryckarspaken.
 - Dra åt skruven på klämman ordentligt så att pistolen sitter på plats.

ANMÄRKNING: Justering av pistolen kan krävas beroende på vilken typ av tryckspraypistol som används. Justera med hjälp av en 9/64" sexkantsnyckel.



17. Installera och sätt pistollåset på plats.
- Placera pistolen på önskad minimihöjd på pistolstödet. Dra åt pistolenshetens skruv ordentligt så att pistolen sitter på plats.
 - För in pistollåsets tumskruv genom hålet i pistolstödet så att tumskruven placeras under pistolanordningen.
 - För in pistollåsets tumskruv i hålet till dess att den kommer i kontakt med pistolanordningen.
 - För pistollåset på pistollåsets tumskruv och dra åt ordentligt.
 - Lossa pistolenshetens skruv.
 - Justera handtaget till dess att pistolen är i önskad vinkel/driftsläge. Dra åt pistolenshetens skruv.



Drift

⚠ VARNING

Denna utrustning producerar ett vätskeflöde vid ett extremt högt tryck. Läs och förstå varningarna i avsnittet om försiktighetsåtgärder längst fram i denna manual samt manualerna för trycksprayanordningen och spraypistolen innan du använder denna utrustning.

Förberedelse

Utför följande procedur för att förbereda LinePainter för drift.

⚠ VARNING

Se till att alla tryckslangar och spraypistoler är elektriskt jordade och att de motsvarar eller överskrider sprayanordningens driftstryck.

- Följ förberedelseproceduren och försiktighetsåtgärderna i användarmanualen för trycksprayanordningen.
- Följ förberedelseproceduren och försiktighetsåtgärderna i användarmanualen för tryckspraypistolen.

⚠ OBSERVERA

Se till att avtryckarlåset på spraypistolen alltid är i låst position vid förberedelse av systemet.

- Med hjälp av en skruvnyckel, fäst minst 50' of 1/4" av tryckluftsslangen vid sprayanordningen. Dra åt ordentligt.
- Fäst slangens motsatta ände vid den tryckspraypistolen i pistolanordningen på LinePainter. Dra åt ordentligt med hjälp av två skruvnycklar (en på pistolen och en på slangens).
- Kläm fast tryckslangen vid slangklämman på pistolensheten.
- Konfigurera LinePainter för den typ av målning som skall utföras (rak linje, böjd linje, kurva, etc...). Se avsnittet "Konfigurering av LinePainter" i denna manual för olika inställningar av LinePainter.

⚠ VARNING

Se till att trycksprayanordningen är avstängd, att avtryckarlåset på spraypistolen är i låst läge och att allt tryck är avstängt från systemet innan du ändrar konfiguration för LinePainter.

Målning

- Placera trycksprayanordningen så att den är nära det område som skall målas, utan att den utgör ett störande moment vid målning.
- Linda slangens så att den rullas upp utan att några knutar uppstår eller så att korrekt applicering på annat sätt förhindras.
- Starta trycksprayanordningen. Följ förberedelseproceduren och försiktighetsåtgärderna i användarmanualen för trycksprayanordningen.

⚠ VARNING

RISK FÖR SPRUTSKADOR. Spraya inte utan att sprutmunstycket sitter på plats. Utlös inte pistolen om munstycket inte är i antingen spray eller olåst läge. Se till att låset på avtryckaren alltid är på innan munstycket avlägsnas, byts ut eller rengörs.

- Placera LinePainter något framför målningsytan.
- Börja gå med LinePainter och utlös pistolen i början av målningsytan.
- Frigör avtryckaren vid målningsytans slut och fortsätt gå en kort sträcka om möjligt.

ANMÄRKNING: Utlösning av pistolen då LinePainter är i rörelse och om avtryckaren släpps innan LinePainter avstannar, resulterar i en jämnt målad linje från början till slut. Om den streckade linjen slutar vid ett hinder, släpp upp avtryckaren i samma ögonblick som LinePainter avstannar.

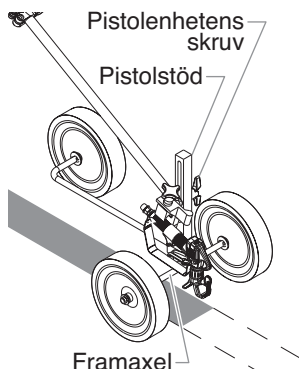
Konfigurering av LinePainter

LinePainter kan konfigureras till att användas för flera typer av streckmålning. Se följande avsnitt för de vanligaste typerna av konfiguration av LinePainter.

Rak strecklinjemålning

Rak strecklinjemålning är den vanligaste typen av streckmålning. Avsnittet "Montering" i denna manual ger instruktioner om hur LinePainter skall monteras för rak strecklinjemålning.

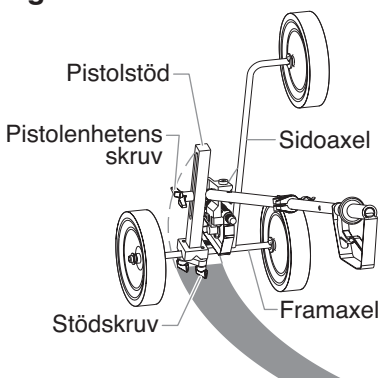
1. Montera pistolstödet på den främre axeln.
2. Lossa pistolenshetens skruv för att justera vinkel och höjd för pistolen för önskad streckstorlek. Dra åt pistolenshetens skruv.



Böjd strecklinjemålning

LinePainter kan konfigureras för att måla en böjd linje.

1. Montera pistolstödet på den främre axeln.
2. Lossa stödskruvorna på pistolstödet.
3. Roterar det bakre hjulet så att endast de två främre hjulen vidrör marken. Sidoaxeln och det bakre hjulet skall vara i vertikal vinkel över framaxeln och de främre hjulen.
4. Fäst de två stödskruvorna på pistolstödet säkert.
5. Lossa pistolenshetens skruv för att justera vinkel och höjd för pistolen för önskad streckstorlek. Dra åt pistolenshetens skruv.

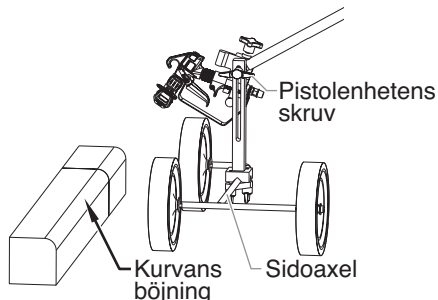


ANMÄRKNING: Det är viktigt att dra åt pistolskruven ordentligt vid konfigurering av LinePainter för målning av böjd linje. Om skruven inte sitter fast ordentligt, kommer sidoaxeln och det bakre hjulet att halka ner på marknivå.

Målning av kurva

LinePainter kan konfigureras för att måla en kurva.

1. Montera pistolstödet på sidoaxeln på jämnt avstånd mellan de två hjulen. Se till att spraypistolen pekar mot utsidan av axelordningen.



2. Lossa pistolenshetens skruv för att justera pistolens vinkel och höjd. Peka pistolen mot kurvans böjning så att färgen sprayas jämnt på kurvans horisontala och vertikala delar. Dra åt pistolenshetens skruv.

Diagram för målningsmunstycke

Munstycksdel #	Linjebredd	Mynningsstorlek	Vanliga användningsområden
0561504	2"-3" (51-76 mm)	.015" (.38 mm)	Stenciler & Sportarenor — tunt skikt
0561508	4"-8" (102-203 mm)	.015" (.38 mm)	Stenciler & Sportarenor — tunt skikt
0561704	2"-3" (51-76 mm)	.017" (.43 mm)	De flesta typer av trafikmålningar — medeltjockt skikt
0561708	4"-8" (102-203 mm)	.017" (.43 mm)	De flesta typer av trafikmålningar — tunt skikt
0561904	2"-3" (51-76 mm)	.019" (.48 mm)	De flesta typer av trafikmålningar — tjockt skikt
0561908	4"-8" (102-203 mm)	.019" (.48 mm)	De flesta typer av trafikmålningar — medeltjockt skikt
0562108	4"-8" (102-203 mm)	.021" (.53 mm)	De flesta typer av trafikmålningar — tjockt skikt
0562112	6"-12" (152-305 mm)	.021" (.53 mm)	De flesta typer av trafikmålningar — tunt skikt
0562308	4"-8" (102-203 mm)	.023" (.58 mm)	De flesta typer av trafikmålningar — tjockt skikt
0562328	6"-12" (152-305 mm)	.023" (.58 mm)	De flesta typer av trafikmålningar — medeltjockt skikt

Rengöring

⚠ VARNING

Särskilda rengöringsinstruktioner för användning av brandfarliga lösningar:

- Spola alltid spraypistolen utomhus på minst en slanglängd från spraypumpen.
- Vid uppsamling av spolade lösningsmedel i en metallbehållare som rymmer 4,55 liter (1 gallon), placera den i en tom behållare på 22,75 liter (5 gallon) och spola sedan lösningsmedlen.
- Området måste vara fritt från brandfarliga ångor.
- Följ alla instruktioner för rengöring.

⚠ OBSERVERA

Sprayanordningen, slangen och pistolen måste rengöras noga vid daglig användning. I annat fall orsakas uppbyggnad av material, vilket allvarligt påverkar enhetens funktion.

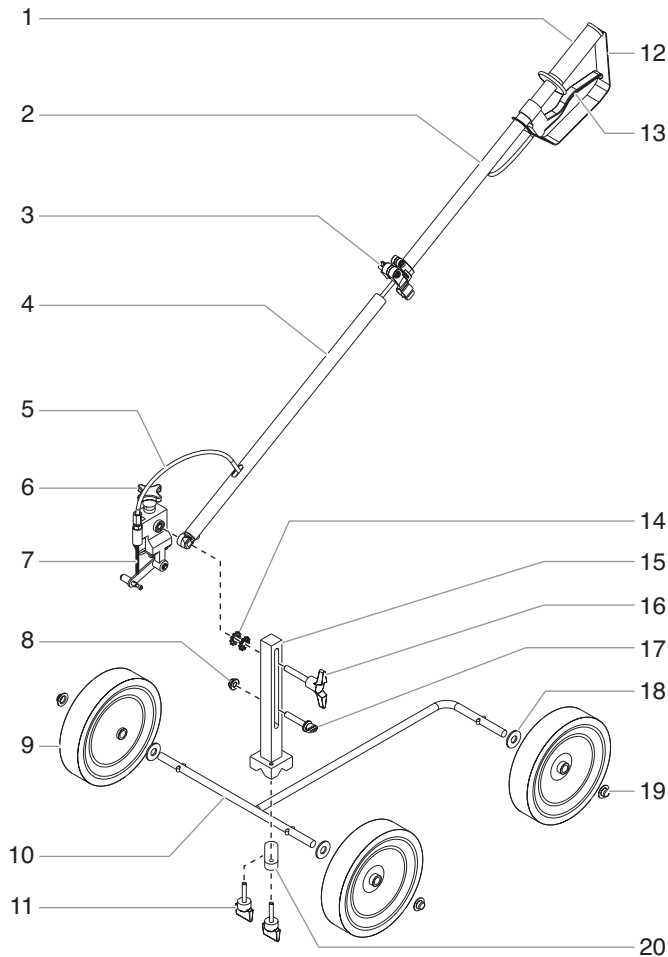
⚠ VARNING

Spray alltid med minimalt tryck med borttaget pistolmunstycke vid användning av mineralsprit eller andra lösningsmedel vid rengöring av sprayanordning, slang eller pistol. Uppbyggnad av statisk elektricitet kan resultera i brand eller explosion i närheten av brandfarliga ångor.

1. Följ "Procedur för tryckavlastning" i användarmanualen för trycksprayanordningen.
2. Följ proceduren för "Rengöring" i användarmanualerna för trycksprayanordningen och spraypistolen.
3. Torka samtliga ytor på LinePainter.
4. Förvara LinePainter på en ren, torr plats

Beståndsdelar

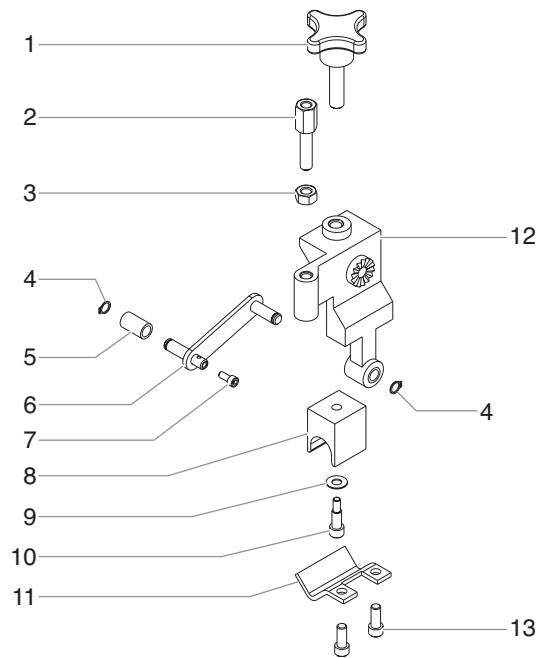
Huvuddel



Föremål	Del	Beskrivning	Kvantitet
1	0555301	Handtag	1
2	0555302	Pistolenhet, övre del	1
3	0555303	Klämanordning	1
4	0555304	Pistolenhet, nedre del	1
5	0555305	Kabel	1
6	0555101	Pistolordning	1
7	0555306	Returfjäder	1
8	0555316	Mutter för pistollås	1
9	0270359	Hjul	3
10	0555307	Axel	1
11	0555308	Stödskruv	2
12	0555309	Avtryckarskydd	1
13	0555310	Avtryckare	1
14	0555311	Packning	2
15	0555312	Pistolstöd	1
16	0555313	Pistolenhetens skruv	1
17	0555315	Tumskruv för pistollås	1
18	9820208	Hjulpackning	3
19	0275728	Navkapsel	3
20	0555314	Stöd	1
	0555900	Smörjmedel	1

ANMÄRKNING: Pistol och pistolordning kan användas som en spraypistol. Beställ skruv med Art. Nr 0555329 och packning med Art. Nr 0555330 för utbyte av del 14 och 16 för detta ändamål.

Pistolordning (P/N 0555101)



Föremål	Del	Beskrivning	Kvantitet
1	0555317	Klämskruv	1
2	0555318	Skruv för kabeljustering	1
3	0555319	Låsmutter	1
4	0555320	Knäppring	2
5	0555321	Bussning	1
6	0555322	Klammer	1
7	0555323	Skruv	1
8	0555324	Klämlås	1
9	0555325	Packning	1
10	0555326	Skruv	1
11	0555327	Pistolstöd	1
12	0555100	Pistolenhet	1
13	0555328	Skruv	2

Material Safety Data Sheets (MSDS) finns på Wagner's webbplats eller kan beställas från teknisk service.

Notes/Nota

Deutschland	J. Wagner GmbH • Otto-Lilienthal-Straße 18 • Markdorf ☎ 0 75 44 / 505-0
Österreich	J. Wagner Ges. mbH • Lohnergasse 1 • 1210 Wien ☎ 02 22 / 2 70 77 81- 0 (national) ☎ 00 43 / 1 / 2 70 77 81- 0 (international)
Schweiz	J. Wagner AG • Industriestrasse 22 • 9450 Alstätten ☎ 0 71 / 7 57 22 11
France	J. Wagner France S.A.R.L. • 5, Avenue du 1er Mai • B.P. 75 • 91122 Palaiseau Cédex ☎ 01 60 11 40 50
Italia	Wagner Colora • Via Ciucani, 3 • 20060 Ornago (MI) ☎ 039 / 6010474 • Telefax 039 / 6010601
Belgie	Wagner Spraytech Belgium N.V. • Veilinglaan 56 - 58 • 1861 Wolvertem ☎ 02 / 269 46 75
Nederland	Wagner Spraytech Nederland b.v. • Zonnebaan 10 • NL-3606 CA Maarssenbroek ☎ 0 30 / 2 41 41 55
Australia	Wagner Spraytech Australia PTY.LTD. • 33 Hinkler Road • Mordialloc 3195 ☎ 0 3/5 87 20 00
Great Britain	Wagner Spraytech (UK) LTD. • Unit 3, Haslemere Way, Tramway Industrial Estate • Banbury, Oxon OX 16 8TY ☎ 0 12 95 / 26 53 53
Ireland	Mark John LTD. • 50 C Robinhood Industrial Estate • Clondalkin • Co. Dublin ☎ 51 61 22
New Zealand	Wagner Spraytech (NZ) LTD. • Auckland Office • 308 Church Street • Te Papapa, Auckland ☎ (09) 641 169
España	Wagner Spraytech Ibérica S.A. • CTRA. N • 340 KM 1245'4 • 08750 Molins de Rey - Barcelona ☎ 93 / 680 00 28
Danmark	Wagner Spraytech Scandinavia A/S • Kornmarksvej 26 • 2605 Brøndby ☎ 43 63 28 11
Sverige	Wagner Sverige AB • Muskötgatan 19 • 25466 Helsingborg ☎ 0 42 / 15 00 20